



LaMAS Contract No. 408237

To: City of Hammond
P.O. Box 2788
Hammond, LA 70404

Date: 7-01-2016



We hereby propose and agree to furnish, after your acceptance of this proposal and the proper execution by the City of Hammond, hereinafter called the BUYER and an officer of Rosenbauer South Dakota's Louisiana dealer, Bonaventure Co., Inc., hereinafter called the SELLER, the following apparatus and equipment:

LaMAS Contract No. 408237, Line # 1, Class/Subclass 070-57
RBA1114 Panther ARFF 3000 – 6x6

TOTAL ... \$ 715,472.10

Seven Hundred fifteen Thousand Four Hundred Seventy Two Dollars & 10/100

All of which are to be built in accordance with the specifications, clarifications and exceptions attached, and which are made a part of this agreement and contract.

Delivery: The estimated delivery time for the completed apparatus, is to be made 340-360 days after receipt of and approval of this contract duly executed, (chassis must arrive within 150 days or delivery may be delayed), subject to all causes beyond the Seller's control. The quoted delivery time is based upon our receipt of the specified materials required to produce the apparatus in a timely manner. The Seller can not be held responsible for delays due to Acts of God, Labor Strikes, or Changes in Governmental Regulations that result in delayed delivery to our manufacturing facilities of these specified materials. This delivery estimate is based on the Seller receiving complete and accurate paperwork from the Buyer and that no changes take place during pre-construction, mid point inspections or final inspections. Changes required or requested by the Buyer during the construction process may be cause for an increase in the number of days required to build said apparatus.

Payment Terms: Final payment for the apparatus shall be made at time of delivery or pick up of the completed vehicle. It is the responsibility of the Buyer to have full payment ready when the apparatus is complete and ready to deliver. If payment is delayed or delivery is delayed pending payment, a daily finance and storage fee may apply. Upon delivery of the apparatus or upon pickup of the apparatus by the Buyer, Buyer agrees to provide all liability and physical damage insurance. It is further agreed that if on delivery and test, any defects should develop, the Seller shall be given reasonable time to correct same. Guarantee of the chassis is subject to the guarantee of the chassis manufacturer.

Price includes progress payment in approximately 30-60 days in the amount of \$ 350,000.00 or add \$15,000.00 to the amount listed above.

Respectfully submitted,

BUYER

Louisiana Dealer: Bonaventure Co., Inc.

We accept the above Proposal and enter into contract with signature below.

President _____
Nolan J. LeBlanc

_____ Title _____

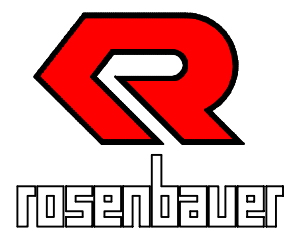
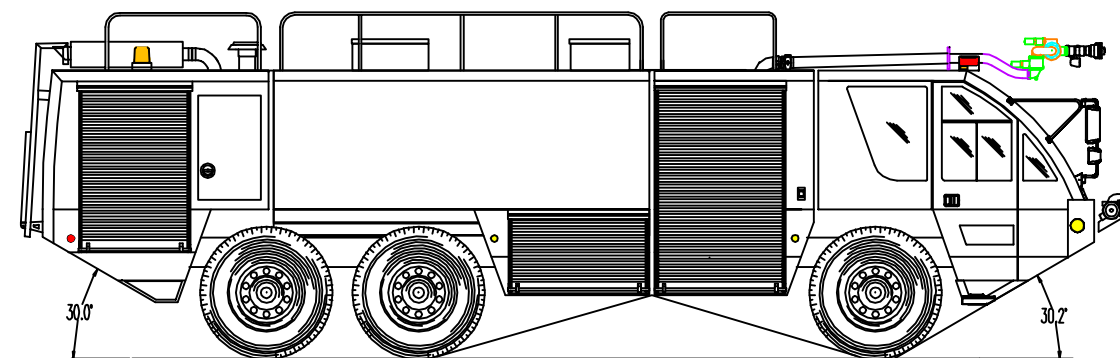
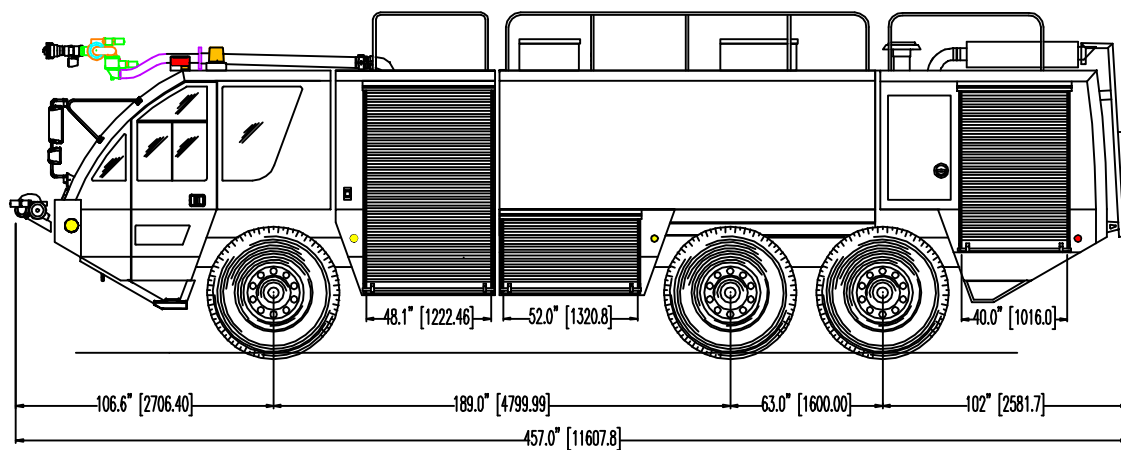
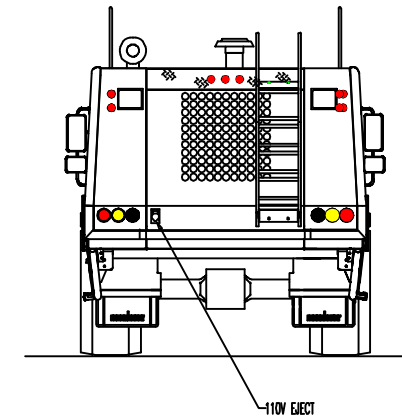
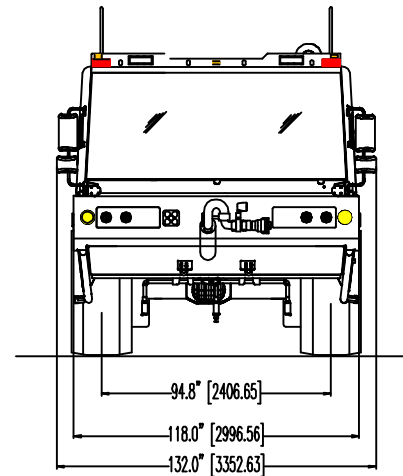
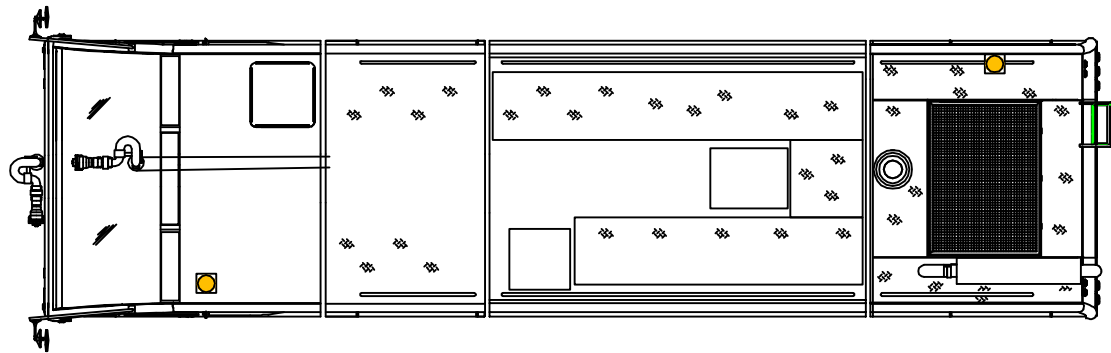
_____ Date

Bonaventure Co., Inc.
162 Industrial Dr.
Rayne, LA 70578
337-334-4900
337-334-8885 Fax

If a Purchase Order is also being issued for this apparatus, make PO out to:

READY TO SERVE

Bonaventure Co., Inc.
RE: LaMAS P.O.
P. O. Box 43
Rayne, LA 70578



HAMMOND F.D.
ROSENBAUER PANTHER 6X6
RM30/RM30

DO NOT SCALE DRAWING. ALL DIMENSIONS ARE APPROXIMATE AND SUBJECT TO ENGINEERING CHANGES DUE TO CHASSIS VARIATIONS. BLUEPRINT DOES NOT NECESSARILY SHOW ALL ITEMS IN THE SPECIFICATIONS.

GENERAL DIVISION

DWG# P3422-01

REV #	DATE	DESCRIPTION	DRAWN: 03/31/08	CHASSIS: 6X6 WIDE CRF
			DRAWN BY: JPO	BODY MAT'L: ALUMINUM
			VEHICLE TYPE: ARFF	UNITS: INCH [MM]
			FILE #: N/A	TANK MAT'L/GALS: 3000
			SCALE: DNS	WEIGHT FRONT:
			PUMP: ROSENBAUER R600	WEIGHT REAR:





