



**Bus Stop Benches  
Quote Summary**

**Recommended Quote**

<b>Company</b>	<b>Item Summary</b>	<b>Cost</b>
Victor Stanley (Option 1)	18 6' Benches (Victor Stanley)	\$ 12,038.40
	18 8' Benches (Victor Stanley)	\$ 14,198.40
	Freight	\$ 2,682.00
	<b>Total</b>	<b>\$ 28,918.80</b>

**Other Quotes Received**

<b>Company</b>	<b>Item Summary</b>	<b>Cost</b>
APC Play	36 6' Benches (Kensington)	\$ 36,036.00
	Freight	\$ 3,946.00
<b>Total</b>		<b>\$ 39,982.00</b>

Belson Outdoors (Option 1)	18 6' Benches (Custom Petersen)	\$ 23,400.00
	18 8' Benches (Custom Petersen)	\$ 29,160.00
	Freight	\$ 3,162.50
<b>Total</b>		<b>\$ 55,722.50</b>

Belson Outdoors (Option 2)	36 6' Benches (Kensington)	\$ 34,272.00
	Freight	\$ 4,150.00
<b>Total</b>		<b>\$ 38,422.00</b>

Bliss Products	18 6' Benches (Bliss Products)	\$ 4,050.00
	18 8' Benches (Bliss Products)	\$ 4,590.00
	36 Surface Mount Frames	\$ 2,268.00
	Freight	\$ 2,910.19
<b>REJECTED: Benches do not meet minimum specifications.</b>		
<b>Total</b>		<b>\$ 13,818.19</b>

Victor Stanley (Option 2)	36 6' Benches (Victor Stanley)	\$ 24,076.80
	Freight	\$ 2,076.00
<b>Total</b>		<b>\$ 26,152.80</b>

Specifications attached.

Prepared by:

Date:

Quotes attached.

Charles Borchers IV, Grants Manager

12/03/2020

Tuesday, November 24, 2020

Dear sir or madam,

The City of Hammond is soliciting quotes for all-steel, backless benches for its bus stops.

Specifications are:

- 18** 8' All-steel, Backless Benches
  - 92–96" Seat Length
  - 18" Seat Width
  - 17" Seat Height
  - 1-1/2" x 1/4" Solid Steel Slats for Seat
  - 3/8" x 1" Solid Steel Bracing
  - 3 2-3/8" Tubular Steel Legs
  - 3" x 3/8" Solid Steel Surface-mounting Plates Predrilled for 1/2" Anchor Bolts
  - Anchor Hardware and Templates for Surface-mounting
  - 8–10-mil, TGIC, Polyester Powder-coated
  - Green
  
- 18** 6' All-steel, Backless Benches
  - 68–72" Seat Length
  - 18" Seat Width
  - 17" Seat Height
  - 1-1/2" x 1/4" Solid Steel Slats for Seat
  - 3/8" x 1" Solid Steel Bracing
  - 2 2-3/8" Tubular Steel Legs
  - 3" x 3/8" Solid Steel Surface-mounting Plates Predrilled for 1/2" Anchor Bolts
  - Anchor Hardware and Templates for Surface-mounting
  - 8–10-mil, TGIC, Polyester Powder-coated
  - Green
  
- 1** Freight to:
  - City of Hammond
  - 18104 Hwy 190 E
  - Hammond LA 70401-3400\*

\* Please include estimated delivery time from order, which could be as early as December 9, 2020.

I have attached drawings for additional reference.

Quotes are requested by **4:00 p.m. Wednesday, December 2, 2020.**

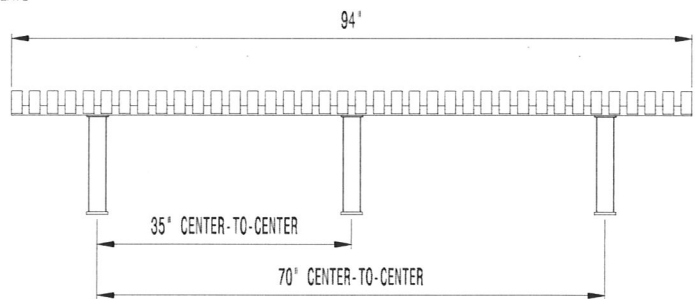
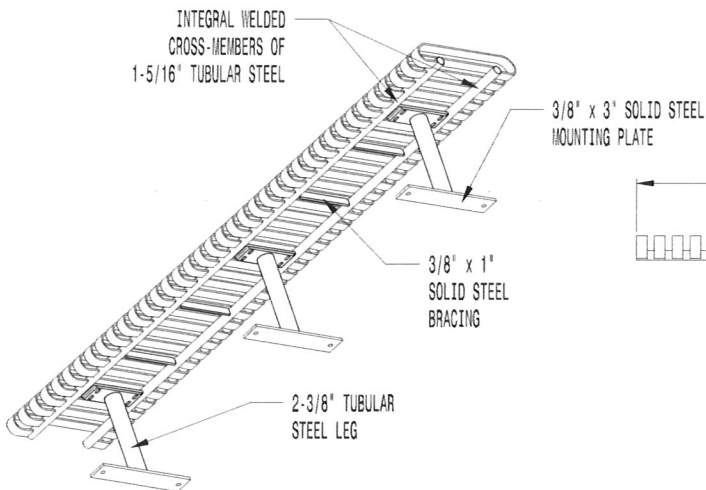
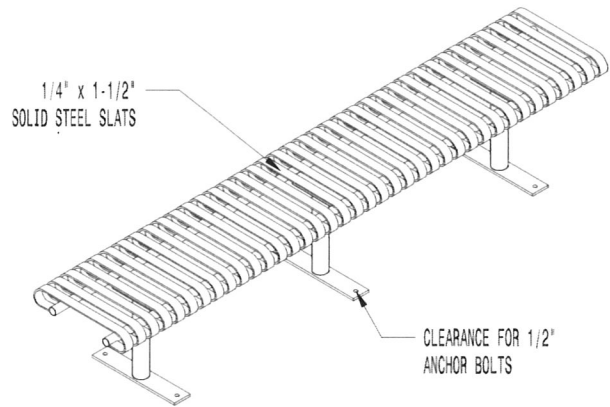
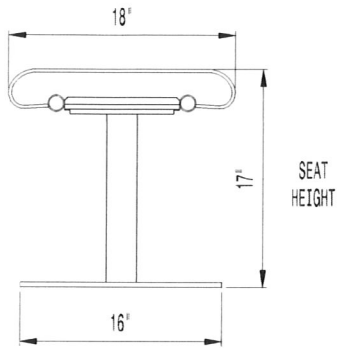
Respectfully,

**Charles W. Borchers IV**

Grants Manager, City of Hammond  
Grants Department  
310 E Charles St 2nd Fl  
PO Box 2788  
Hammond LA 70404-2788  
[borchers\\_cw@hammond.org](mailto:borchers_cw@hammond.org)  
985.277.5647 | 985.277.5607 (Fax)

CONFIDENTIALITY NOTICE: This communication may contain confidential information intended for use only by the recipient(s) named above. Use of this information by any party(ies) other than the intended recipient(s) is strictly prohibited. If you have received this communication in error, please notify the sender immediately.

*drawings.pdf*



AVAILABLE OPTIONS:

POWDER COATING

10 STANDARD COLORS, 2 OPTIONAL METALLIC COLORS,  
CUSTOM COLORS (INCLUDING THE RAL RANGE)

INTERMEDIATE & CENTER ARMRESTS

4', 6', & 8' AVAILABLE WITH OPTIONAL ARMRESTS

LENGTHS

STANDARD 4'

STANDARD 6'

STANDARD 8' LENGTH SHOWN

MOUNTING

STANDARD IN-GROUND AND SURFACE (AS SHOWN)

AVAILABLE WITH OPTIONAL GULL-WING

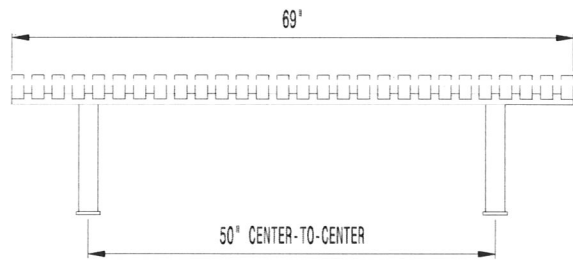
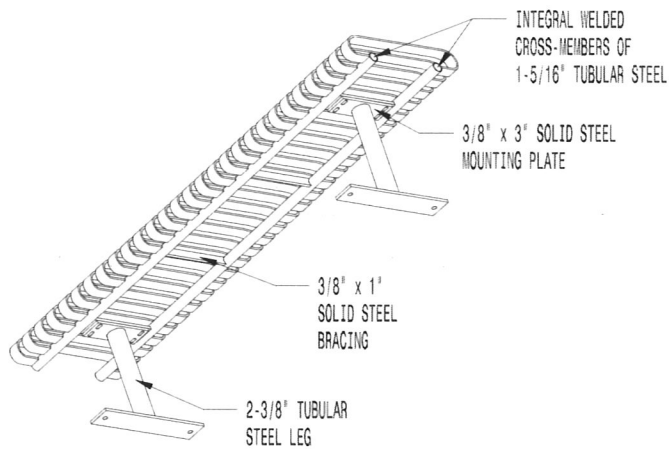
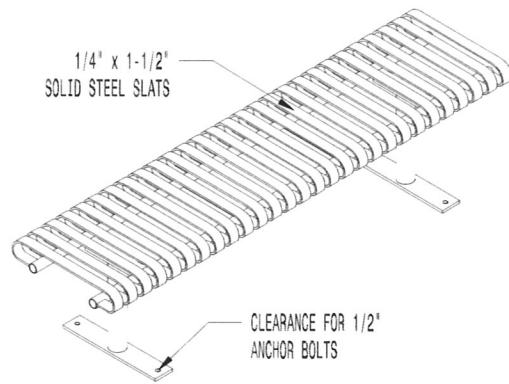
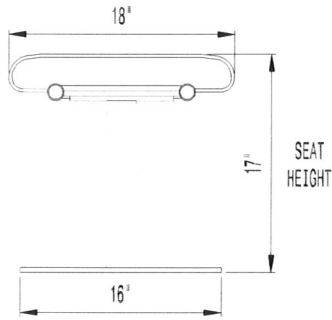
NOTES:

DRAWINGS NOT TO SCALE. DO NOT SCALE DRAWINGS.

ALL FABRICATED METAL COMPONENTS ARE STEEL SHOTBLASTED, ETCHED, PHOSPHATIZED, PREHEATED, AND ELECTROSTATICALLY POWDER-COATED WITH T.G.I.C. POLYESTER POWDER COATINGS. PRODUCTS ARE FULLY CLEANED AND PRETREATED, PREHEATED AND COATED WHILE HOT TO FILL CREVICES AND BUILD COATING FILM. COATED PARTS ARE THEN FULLY CURED TO COATING MANUFACTURER'S SPECIFICATIONS. THE THICKNESS OF THE RESULTING FINISH AVERAGES 8-10 MILS (200-250 MICRONS).

IT IS NOT RECOMMENDED TO LOCATE ANCHOR BOLTS UNTIL BENCH IS IN PLACE. THIS PRODUCT MUST BE PERMANENTLY AFFIXED TO THE GROUND. CONSULT YOUR LOCAL CODES FOR REGULATIONS. ANCHOR BOLTS NOT PROVIDED

THIS PRODUCT IS SHIPPED PARTIALLY UNASSEMBLED.



AVAILABLE OPTIONS:

POWDER COATING

10 STANDARD COLORS, 2 OPTIONAL METALLIC COLORS,  
CUSTOM COLORS (INCLUDING THE RAL RANGE)

INTERMEDIATE & CENTER ARMRESTS

4', 6', & 8' AVAILABLE WITH OPTIONAL ARMRESTS

LENGTHS

STANDARD 4'

STANDARD 6' (AS SHOWN)

STANDARD 8'

MOUNTING

STANDARD IN-GROUND AND SURFACE (AS SHOWN)

AVAILABLE WITH OPTIONAL GULL-WING

NOTES:

DRAWINGS NOT TO SCALE. DO NOT SCALE DRAWINGS.

ALL FABRICATED METAL COMPONENTS ARE STEEL SHOTBLASTED, ETCHED, PHOSPHATIZED, PREHEATED, AND ELECTROSTATICALLY POWDER-COATED WITH T.G.I.C. POLYESTER POWDER COATINGS. PRODUCTS ARE FULLY CLEANED AND PRETREATED, PREHEATED AND COATED WHILE HOT TO FILL CREVICES AND BUILD COATING FILM. COATED PARTS ARE THEN FULLY CURED TO COATING MANUFACTURER S SPECIFICATIONS. THE THICKNESS OF THE RESULTING FINISH AVERAGES 8-10 MILS (200-250 MICRONS).

IT IS NOT RECOMMENDED TO LOCATE ANCHOR BOLTS UNTIL BENCH IS IN PLACE. THIS PRODUCT MUST BE PERMANENTLY AFFIXED TO THE GROUND. CONSULT YOUR LOCAL CODES FOR REGULATIONS. ANCHOR BOLTS NOT PROVIDED

THIS PRODUCT IS SHIPPED PARTIALLY UNASSEMBLED.



P.O. Drawer 330, Dunkirk, MD 20754  
 1.800.368.2573 (USA + Canada) TEL 301.855.8300 FAX 410.257.7579  
 VICTORSTANLEY.COM

## SALES QUOTE

Sales Quote No: SQ109220  
 Revision Number:0  
 Sales Quote Date:11/23/20

### Sell To:

City of Hammond  
 Charles Borchers  
 P.O. Box 2788  
 Hammond, LA 70401

Customer No: C000286  
 Phone No: 985-542-3471  
 Contact Name:  
 Contact Phone No:  
 Terms: Pending  
 Associate: Tiffany Lawter

**Project Name:** CITY OF HAMMOND

**Project Location State:** LA

### Ship To:

Please advise  
 18104 US 190 E  
 Hammond, LA 70401

Ship Via: Contract Carrier  
 Ship Freight: Prepaid  
 Shipping Method: FOB Factory

This Quote is valid for 30 days.

Estimated Lead Time: Allow 6 to 8 (weeks)  
 for Production of your order.

*All credit determinations are made by our Credit Department.*

### Comments:

- \* Orders are released into production upon receipt of signed sales/purchase order, credit determination and (where applicable) deposit, payment bond, etc.
- \* All products must be permanently affixed to the ground. Consult your local codes for regulations. Anchor bolts NOT provided.
- \* Common Carrier unloading is the responsibility of the receiver.
- \* While the vast majority of our components satisfy Buy America requirements, we must know if there are Buy America requirements before the order is placed.
- \* It is the buyer's sole responsibility to inspect shipments at the time of delivery; any damage, loss, or shortage must be noted on the signed Proof of Delivery and reported to Victor Stanley within seven (7) days.
- \* This quote is valid for shipment within normal production time. No deferred shipping dates are accepted without prior written approval.
- \* Benches, other seating and tables ship partially unassembled unless otherwise stated by Victor Stanley, Inc.
- \* Victor Stanley uses common carriers. Any additional service or re-consignment charges added during shipment will be the sole responsibility of the Buyer.
- \* These comments are intended to be part of the terms and conditions of this sales quote.

QTY	Model No.	Description	Unit Cost	Total Price
18	FRB-6	Steelsites Series All-Steel Backless Bench FRB-6 Components 8-Ft w/Center Leg No Joining Brace Green Surface Mount	788.80	14,198.40
18	FRB-6	Steelsites Series All-Steel Backless Bench FRB-6 Components 6-Ft	668.80	12,038.40

Many Victor Stanley, Inc. products are covered by patents including but not limited to the following:  
 USA Patents D458,431 S; D441,932 S; D452,760 S; D450,166 S; D445,982 S; D483,538 S; D487,177 S; D487,537 S; D487,538 S; D454,238 S; D476,455 S; D476,454 S; D417,053; 6,339,944 B1; D385,231; 5,660,907; 5,791,047; D386,012; D376,937; D383,615; D376,271; D384,512; D523,263 S; D532,620 S; D526,805 S; D585,793 S; D582,169 S; D578,792 S; D579,694 S; D565,220 S; D573,766 S; D573,769 S; D553,821 S; D535,209 S; D586,144 S; D579,694 S; D578,783 S; D581,173 S; D581,189 S; D563,689 S; D579,227 S; D579,885 S; D542,893 S; D561,967 S; D595,915 S; D595,916 S; D599,570 S; D601,770 S; D602,221 S; D606,271 S; D595,973 S; D601,823 S; D607,229 S; D609,933 S; D586,062 S; D621,295 S.  
 Canada: 98101; 96040; 96159; 98103; 96108; 110953; 110954; 117181; 126714; 126322; 126323; 130714; 130717; 126317; 126318; 126319; 126320; 126321; 130652; 130653; 130715; 130716. Canada Patent 2,184,349. Mexico Reg. Des. 001871; 28182.  
 EC Reg. Des. 000475579-0001; 000503257-0001; 000762638-0001; 000961404.  
 Other Patent(s): Pending.

QTY	Model No.	Description	Unit Cost	Total Price
		No Joining Brace Green Surface Mount NOTE: Consistent with our efforts to help our customers work through the budget difficulties brought on by COVID-19, we are pleased to offer the following discounted quotation (subject to change).		
1		Freight	2,682.00	2,682.00

Many Victor Stanley, Inc. products are covered by patents including but not limited to the following:  
 USA Patents D458,431 S; D441,832 S; D452,760 S; D450,166 S; D445,982 S; D483,538 S; D487,177 S; D487,537 S; D487,538 S; D484,238 S; D478,465 S; D476,464 S; D417,053; 6,339,944 B1; D385,231; 5,660,907; 5,791,047; D386,012; D376,937; D383,615; D376,271; D384,512; D523,263 S; D532,620 S; D526,805 S; D585,793 S; D582,169 S; D578,792 S; D579,694 S; D585,220 S; D573,766 S; D573,769 S; D553,821 S; D535,209 S; D586,144 S; D579,684 S; D578,783 S; D581,173 S; D581,188 S; D583,689 S; D579,227 S; D579,685 S; D542,093 S; D561,967 S; D595,915 S; D595,916 S; D599,570 S; D601,770 S; D602,221 S; D606,271 S; D595,973 S; D601,823 S; D607,229 S; D609,933 S; D586,062 S; D621,296 S.  
 Canada D98101; 96040; 96159; 98103; 96108; 110953; 110954; 117181; 126714; 126322; 126323; 130714; 130717; 126317; 126318; 126319; 126320; 126321; 130652; 130653; 130715; 130716. Canada Patent 2,184,348. Mexico Reg. Des. 001871; 28182.  
 EC Reg. Des. 000475579-0001; 000503297-0001; 000762638-0001; 000961404.  
 Other Patents(s): Pending.

**Sub-Total:** 28,918.80

**Tax:** 0.00

**Total:** 28,918.80

*All figures are in US Dollars*



**PLAY... It's What We Do Best!**

Prepared By Angela Roberts  
Email angela@apcplay.com  
Phone (888) 401-6446 Ext 109  
Fax

Contact Name Charles Borchers IV  
Email borchers\_cw@hammond.org  
Phone (985) 277-5647

Quote Number 112015091  
Quote Name City of Hammond Benches  
Created Date 11/25/2020  
Expiration Date 12/07/2020

Bill To Name City of Hammond  
Bill To 18104 Hwy 190 E  
Hammond, LA 70401  
United States

Ship To Name City of Hammond  
Ship To 18104 Hwy 190 E  
Hammond, LA 70401  
United States

Product	Product Code	Line Item Description	List Price	Sales Price	Quantity	Total Price
6' KENSINGTON BENCH W/O BACK, SLAT - PC FRAME	44SM-S6	6' Kensington Bench w/out back, surface mount.	\$ 1,001.00	\$ 1,001.00	36.00	\$ 36,036.00
DISCOUNTPRODUCT	DSCNTProduct	Freight Discount if signed and ordered by 12/7/2020	\$ 0.00	\$ -3,148.00	1.00	\$ -3,148.00

Subtotal	\$ 32,888.00	Shipping and Handling	\$ 3,946.00
		Tax	\$ 0.00
		Grand Total	\$ 36,834.00





**Quote #**  
**WQ 280454**

Here is the Quote as per your request. The 'Shipping' total has been applied.  
 To place an order, simply click 'Submit Order Confirmation' below.  
 Please print this page for your records.  
 Customer Order Confirmation is **required** to process order.



627 Amersale Drive  
 Naperville, IL. 60563  
 sales@belson.com

Toll Free: 1-800-323-5664  
 Phone: 1-630-897-8489  
 Fax: 1-630-897-0573

**QUOTE #**  
**WQ 280454**

Model #	Description	Lbs	Quantity	Unit Price	Unit Total
MISC	Custom Bench 72-inch flat bench with tubular legs Per drawings, Green Color Discount Applied	0	18	\$1,300.00	\$23,400.00
MISC	Custom Bench 96-inch flat bench with tubular legs, Per drawings, Green Color Discount Applied	0	18	\$1,620.00	\$29,160.00

Subtotal	0	<b>Subtotal</b>	\$52,560.00
		<input type="checkbox"/> 0.0000% Tax	\$0.00
		<b>Shipping</b>	\$3,162.50
		<b>Grand Total</b>	\$55,722.50

Customer Order Confirmation is required to process order.

Your Order will not be shipped without your "Order Confirmation"

**Bill To:**

**Ship To:**

First Name* Charles	First Name Charles
Last Name* Borchers	Last Name Borchers
Company City of Hammond	Company City of Hammond
Address* PO Box 2788	Address* 18104 Hwy 190 E
Address 2	Address 2
City* Hammond	City* Hammond
State* LA	State* LA
Zip Code* 70404	Zip Code* 70401
Country US	Country US
Phone* 985.277.5647	Phone 985.277.5647
Fax	Fax
Email borchers_cw@hammond.org	Email borchers_cw@hammond.org

**Additional Delivery Services**

Phone Call 24 Hours Prior to Delivery

Delivery to Residential or Non-Commercial Truck Route Addresses

Power Liftgate Service - Driver will lower shipment from the truck to the ground (Only)

**Order Power Liftgate Service if — You will be unable to unload the shipment from the truck.**

◇ Does Not apply to UPS shipments

**Special Instructions**

MJ-E

**Intended Payment Method**

Visa	MasterCard	American Express	Discover	Check with Order	On Account
<input type="radio"/>	<input type="radio"/>	<input type="radio"/>	<input type="radio"/>	<input type="radio"/>	<input type="radio"/>

**Order Confirmation Method — Customer Confirmation is Required to Complete Order**

Email Order Confirmation      borchers\_cw@hammond.org

Fax Order Confirmation

Customer Service Representative Call (M-F 8:00am - 4:30pm CST)

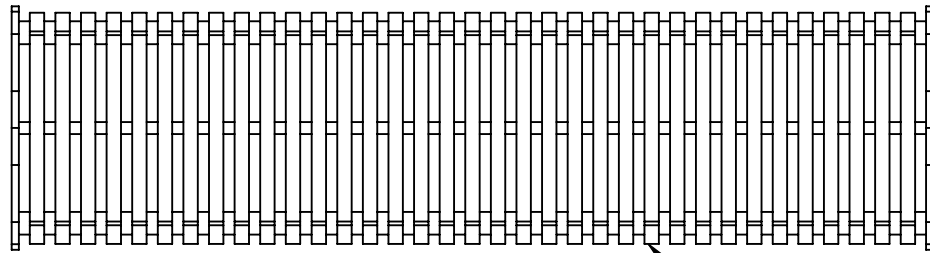
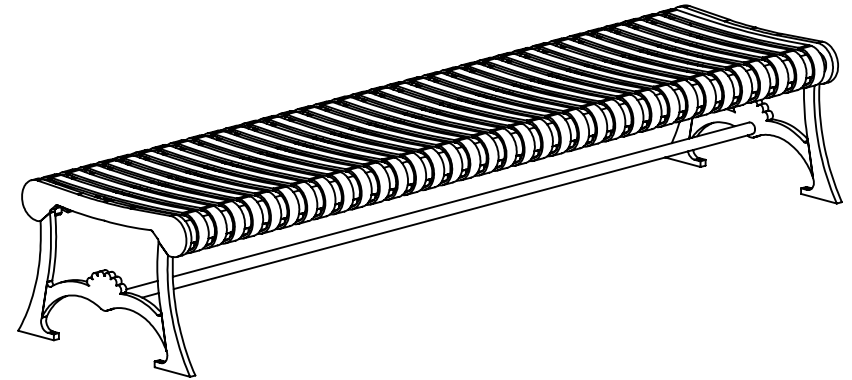
What is the best day and time to call?      Phone

Contact Name (If Different than 'Sold To')

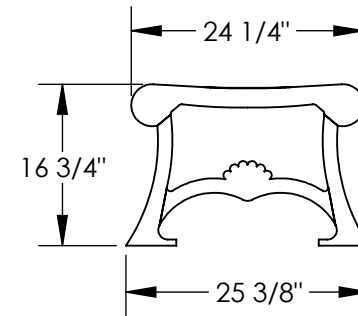
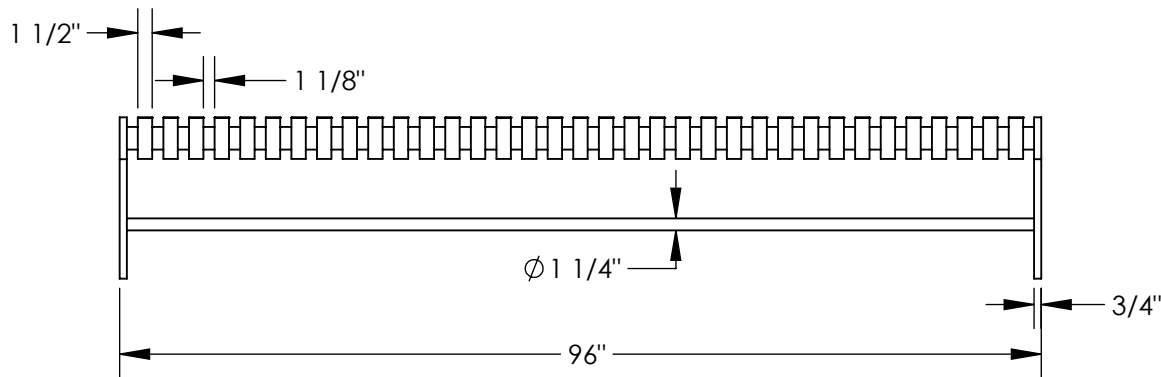
[Submit Order Confirmation](#)      [Cancel Order](#)



PART#: 510-0234  
MODEL: LBFB96D  
WEIGHT: 320 LBS  
MATERIAL: STEEL



1-1/2 x 1/4 SLATS  
X35



APPROVED MANUFACTURER

Petersen Concrete Leisure Products  
Division of Petersen Mfg. Co., Inc.  
2741 Hwy 30  
Denison, IA 51442 800-832-7383

**Petersen Manufacturing Company Inc.**

PROPRIETARY AND CONFIDENTIAL

THE INFORMATION CONTAINED IN THIS  
DRAWING IS THE SOLE PROPERTY OF  
PETERSEN MFG. CO.. ANY  
REPRODUCTION IN PART OR AS A WHOLE  
WITHOUT THE WRITTEN PERMISSION OF  
PETERSEN MFG. CO. IS PROHIBITED.

**Quote #**  
**WQ 280368**

Here is the Quote as per your request. The 'Shipping' total has been applied.  
 To place an order, simply click 'Submit Order Confirmation' below.  
 Please print this page for your records.  
 Customer Order Confirmation is **required** to process order.



627 Amersale Drive  
 Naperville, IL. 60563  
 sales@belson.com

Toll Free: 1-800-323-5664  
 Phone: 1-630-897-8489  
 Fax: 1-630-897-0573

**QUOTE #**  
**WQ 280368**

Model #	Description	Lbs	Quantity	Unit Price	Unit Total	
44SM-S6	6' Kensington Backless Bench, Powder-Coated, Surface Mount Powder-Coated   Green Discount Applied	140	36	\$952.00	\$34,272.00	
Subtotal		5,040		Subtotal	\$34,272.00	
					<input type="checkbox"/> 0.0000% Tax	\$0.00
					Shipping	\$4,150.00
					Grand Total	\$38,422.00

Customer Order Confirmation is required to process order.

Your Order will not be shipped without your "Order Confirmation"

**Bill To:**

**Ship To:**

First Name* Charles	First Name Charles
Last Name* Borchers	Last Name Borchers
Company City of Hammond	Company City of Hammond
Address* PO Box 2788	Address* 18104 Hwy 190 E
Address 2	Address 2
City* Hammond	City* Hammond
State* LA	State* LA
Zip Code* 70404	Zip Code* 70401
Country US	Country US
Phone* 985.277.5647	Phone 985.277.5647
Fax	Fax
Email borchers_cw@hammond.org	Email borchers_cw@hammond.org

**Additional Delivery Services**

Phone Call 24 Hours Prior to Delivery◇

Delivery to Residential or Non-Commercial Truck Route Addresses

Power Liftgate Service◇ - Driver will lower shipment from the truck to the ground (Only)

**Order Power Liftgate Service if — You will be unable to unload the shipment from the truck.**

◇ Does Not apply to UPS shipments

**Special Instructions**

MJ-E

**Intended Payment Method**

Visa <input type="radio"/>	MasterCard <input type="radio"/>	American Express <input type="radio"/>	Discover <input type="radio"/>	Check with Order <input type="radio"/>	On Account <input type="radio"/>
-------------------------------	-------------------------------------	---	-----------------------------------	---	-------------------------------------

**Order Confirmation Method — Customer Confirmation is Required to Complete Order**

Email Order Confirmation      borchers\_cw@hammond.org

Fax Order Confirmation

Customer Service Representative Call (M-F 8:00am - 4:30pm CST)

What is the best day and time to call?  
 Contact Name (If Different than 'Sold To')      Phone

[Submit Order Confirmation](#)

[Cancel Order](#)





Bliss Products and Services, Inc  
 6831 S. Sweetwater Rd.  
 Lithia Springs, GA 30122  
 (800) 248-2547  
 (770) 920-1915 Fax

Quote # **54043**

Sales Rep: June Rosenberg  
 june@blissproducts.com  
 C: (985) 869-0858

**City of Hammond**

**Date**  
 11/25/2020

**Project** Backless Benches

**Bill To**  
 City of Hammond  
 310 East Charles St.  
 PO Box 2788  
 Hammond, LA, 70404

**Ship To**  
 City of Hammond

**Contact**  
 Ernest Peters Sr.  
 Phone: (985) 277-5632

**Approximate Ship Date**

**Ship Via**

**Terms**  
 Net 30

Vendor	Part #	Description	Qty	Unit Price	Extended Price
ULT	P942SM-FV	6' and 8' Surface Mount Frame Only	36	\$63.00	\$2,268.00
ULT	T-SR96-S	8' Slat Rolled Seat	18	\$255.00	\$4,590.00
ULT	T-SR72-S	6' Slat Rolled Seat	18	\$225.00	\$4,050.00

**Sub Total** \$10,908.00  
**Freight** 2,910.19  
**Tax** 0.00

**Taxable Subtotal** \$13,818.19

Financing as low as **\$335.78** / month may be available pending credit approval.

**Grand Total** \$13,818.19

Quote valid for 30 days unless otherwise noted.

Sales tax exempt certificate will be required for exemption. All orders are subject to approval and acceptance by the manufacturer. Deposits may be required. Add 3% to total for charge card transactions. Manufacturing lead times will not begin without an actual shipping address, color and mount selection, approved purchase order or fully executed contract. Customer will need to coordinate with freight carrier if unloading or inside delivery is required. Damaged or missing parts must be noted on the bill of lading at the time of delivery. A finance charge of 1.5% per month will be added to all invoices past due. Return items are subject to manufacturer's policies and may result in freight and restocking fees.

Signed quote will not be accepted for orders over \$500.

Complete Terms and Conditions can be found at <https://blissproducts.com/terms-conditions/>

## Seat Planks

Seats: End plates are fabricated out of 7 gauge x 3" with a 3" diameter corners. 12 gauge sheet steel is precision punched to create the slat pattern. 7 gauge x 1-1/2" flat bar center support and mounting bracket understructure. 5/8" rod to finish off edge.

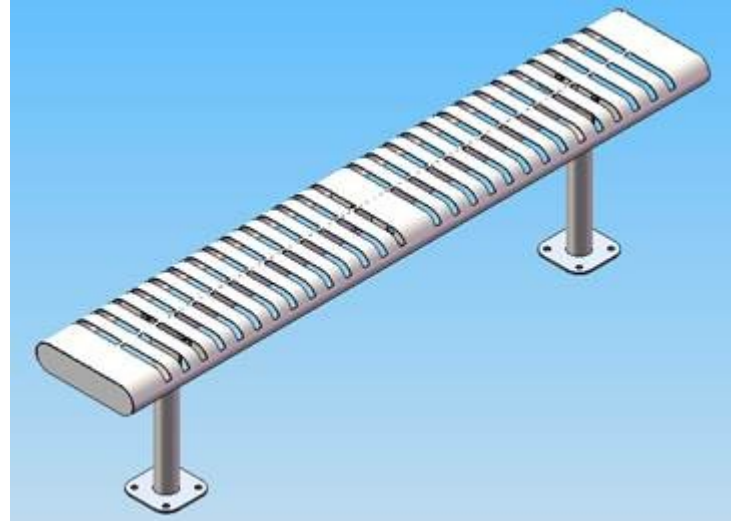
Electrically MIG welded.

Coating: Oven fused functionalized polyethylene co-polymer-based thermoplastic. Fluidized bed coating application with superior

mechanical performance, impact resistance and UV-stability.

Hardware: All stainless steel hardware fasteners.

Seats are 12" wide x 96" OR 72" long (depending on 6' or 8' bench).



## Frames

Frame: 2-3/8" O.D. x 12 gauge pre-galvanized structural steel tubing. Seat mounting points 7 gauge x 1-1/2" die stamped steel flat bar. A 6" x 6" steel plate makes up the surface mount footing. The surface mount plate has four holes for stable mounting, and clipped corners for a more finished look.

Electrically MIG welded.

Frame Coating: Electrostatic powder coated application oven cured.

Hardware: All stainless steel hardware fasteners.

Dimensions: Seat height is 18-1/4". Total depth of bench is 22".