


This is the Proposal of:

Company: Planet Recess, Inc.
Address: P.O. Box 78160
City: Baton Rouge State: LA ZIP Code: 70837
Point of Contact: Carol Billon
Phone: 985-264-6472 Fax: 225-778-4703
Email: ccbillon@yahoo.com/info@planetrecess.com
I acknowledge Addenda (list by number or enter N/A if none): 0/2
Signature:  Date 12/0/22

Proposed Costs:

Line Item	Cost
1. Bonded Rubber Safety Surfacing	*64,700.00
2. Playground Components	*62,349.00
3. Freight	*6682.00
4. Professional Installation	*22,357.00
Total	*156,088.00

Section 3 Business/MBE/WBE/SBE/DBE Yes Type(s): _____

The City encourages Proposals from Section 3 businesses, Minority Business Enterprises, Woman Business Enterprises, Small Business Enterprises, and other potentially Disadvantaged Business Enterprises. The Proposer should contact the Purchasing Manager if the Proposer is uncertain whether it qualifies as a Section 3 business, MBE, WBE, SBE, and/or DBE.

Nondiscrimination Certification

By submitting a Proposal, the Proposer certifies compliance with Title VI and VII of the Civil Rights Act of 1964, as amended by the Equal Employment Opportunity Act of 1972; Section 202 of Executive Order 11246, as amended; the Vietnam Era Veterans' Readjustment Assistance Act of 1974; Section 503 of the Rehabilitation Act of 1973; and the Americans with Disabilities Act of 1990. The Proposer also certifies its intent to keep informed of and comply with all federal, State, and local laws, ordinances, and regulations which affect the Proposer's employees or prospective employees.

"No Proposal"

Any business or enterprise that chooses NOT to submit a Proposal, but wishes to acknowledge notification of this RFP, may complete and submit this Proposal Form with "No Proposal" for Proposal Amount. "No Proposals" shall only serve as a means of verifying notification of this RFP and shall NOT affect participation in future RFPs.









COLOR KEY

●	BLUE
●	LIME
●	TAN
ⓔ	BLUE/WHITE
ⓔ	TAN/GREEN



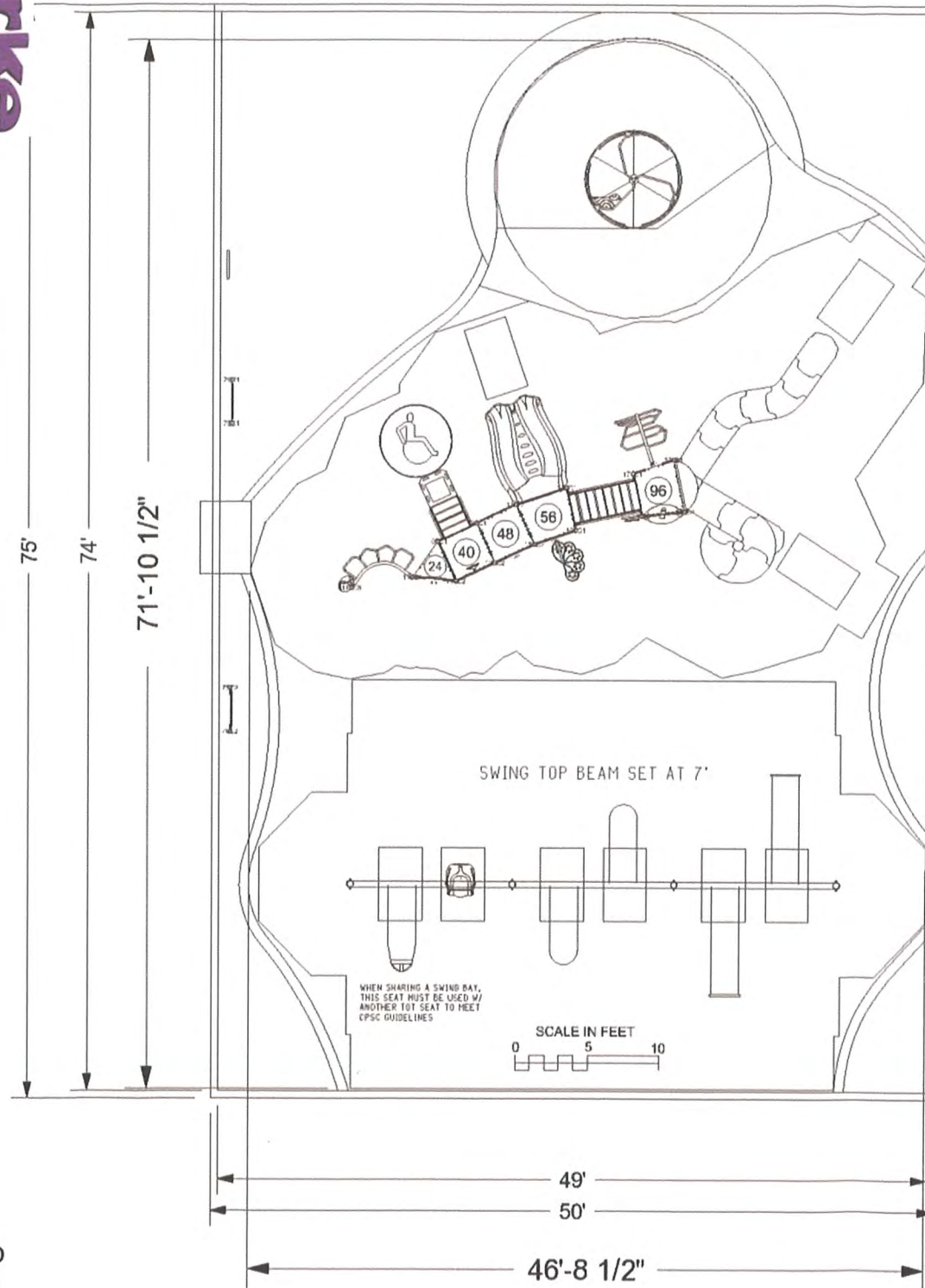
Burke
 SERIES: Basics, Synergy
 SITE PLAN
 DRAWN BY: Maggie Colton

BCI Burke Company, LLC PO Box 549 Fond du Lac, Wisconsin 54936-0549 Telephone 920-921-9220

Mooney Park
 800 Mooney Avenue
 Hammond, LA 70401

Planet Recess
 140-155347-4

September 15, 2022



ADA ACCESSIBILITY GUIDELINE (ADAAG CONFORMANCE)

NUMBER OF PLAY EVENTS:	21	
NUMBER OF ELEVATED PLAY EVENTS:	10	
NUMBER OF ELEVATED PLAY EVENTS ACCESSIBLE BY RAMP:	PROVIDED: 0	REQD: 0
NUMBER OF ELEVATED PLAY EVENTS ACCESSIBLE BY TRANSFER SYSTEM:	PROVIDED: 8	
NUMBER OF ELEVATED PLAY EVENTS ACCESSIBLE BY RAMP OR TRANSFER SYSTEM:		REQD: 5
NUMBER OF GROUND LEVEL PLAY EVENTS:	PROVIDED: 11	REQD: 3
NUMBER OF TYPES OF GROUND LEVEL PLAY EVENTS:	PROVIDED: 5	REQD: 3

PIP AREA = 2,810 SQ FT
 8" SLOPED AREA = 72 SQ FT
 24" SLOPED AREA = 73 SQ FT
 SLOPE TO FREE-STANDING AREA = 155 SQ FT
 2" THICK AREA = 189 SQ FT
 3.5" THICK AREA = 2,303 SQ FT
 RAMP AREA = 18 SQ FT

NOTE: ALTHOUGH ALL ATTEMPTS HAVE BEEN MADE TO PROVIDE AN ACCURATE SITE IT MAY NOT TRULY REPRESENT THE AREA WHERE THIS STRUCTURE IS TO BE PLACED.

WARNING!

ACCESSIBLE SAFETY SURFACING MATERIAL IS REQUIRED BENEATH AND AROUND THIS EQUIPMENT.
 FOR SLIDE FALL ZONE SURFACING AREA SEE CPSC's Handbook for Public Playground Safety.
 PLATFORM HEIGHTS ARE IN INCHES ABOVE RESILIENT MATERIAL.

INFORMATION
 MINIMUM FALL ZONE
 SURFACED WITH
 RESILIENT MATERIAL
 AREA

2351 SQ.FT.

PERIMETER

342 FT.

STRUCTURE SIZE

71' 10" x 46' 8"

STRUCTURE IS DESIGNED FOR CHILDREN AGES:

- 6-23 MONTH OLDS
- 2-5 YEAR OLDS
- 5-12 YEAR OLDS
- 13+ YEAR OLDS

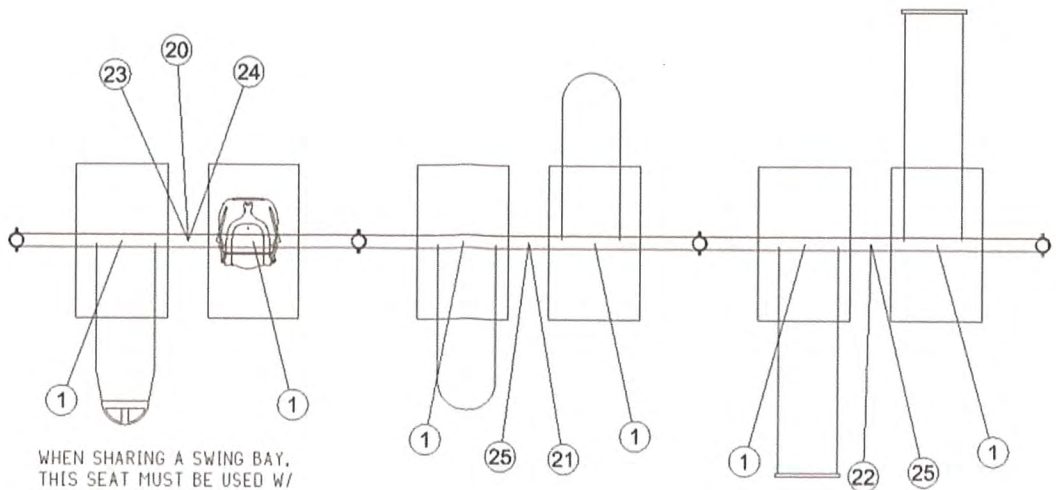
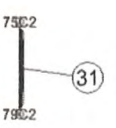
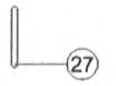
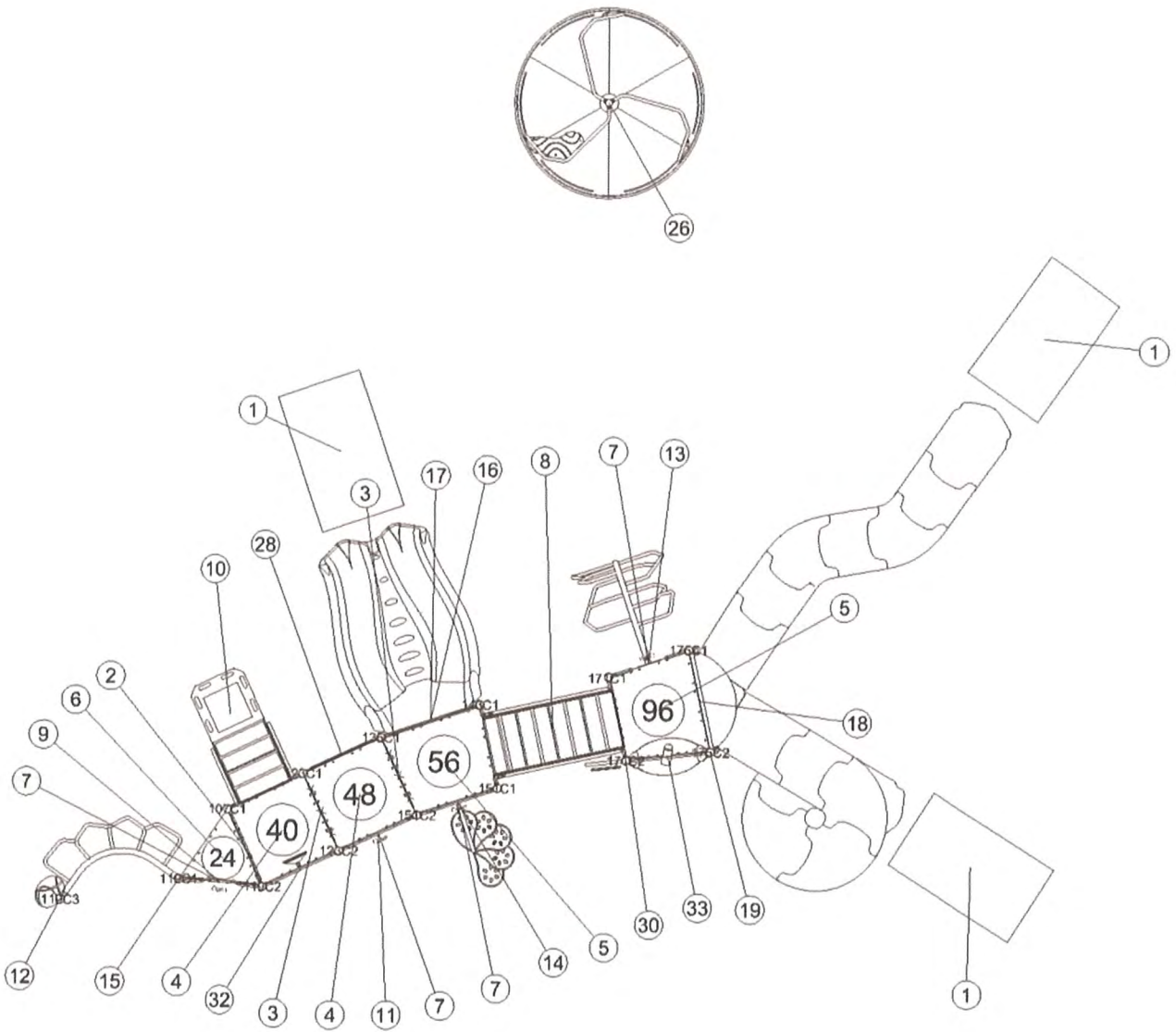


To verify product certification, visit www.ipema.org
 The play components identified in this plan are IPEMA certified. The use and layout of these components conform to the requirements of ASTM F1487. To verify product certification, visit www.ipema.org

The space requirements shown here are to ASTM standards. Requirements for other standards may be different.

The use and layout of play components identified in this plan conform to the CPSC guidelines. U.S. CPSC recommends the separation of age groups in playground layouts.

ITEM	COMP.	DESCRIPTION
1	046-0536	PLAYMAT 3' X 5' X 2"
2	290-0100	16" TRANSITION CLIMBER
3	290-0101	8" CLOSURE PLATE
4	290-0102	SQUARE PLATFORM
5	290-0103	TRAPEZOID PLATFORM
6	290-0106	TRIANGLE PLATFORM
7	290-0110	CLIMBER ENCLOSURE
8	390-0108	40" TRANSITION STAIR W/BARR
9	390-0129	CRUX CLIMBER 24"
10	390-0148	TRANSFER STATION, HANDRAIL
11	390-0156	TREE BRANCH CLIMBER 48"
12	390-0225	SYNERGY LAUNCH PAD
13	390-0263	VERVE CLIMBER 96" DK
14	390-0280	PETAL STEP CLIMBER 56"
15	390-0305	90 DEG HORIZONTAL LADDER,S
16	490-0137	LUGE SLIDE 48"-56"
17	490-0138	DOUBLE SLIDE SIT DOWN BAR
18	490-0181	VIPER II S-SPIRAL 96
19	490-0189	HAMMOCK SEAT
20	550-0099	TOT SEAT, 7' & 8' SINGLE, STD C
21	550-0104	BELT SEAT, 7' PAIR, STD CHAIN
22	550-0108	POLYETHYLENE SEAT, 7' & 8' PA
23	550-0171	FREEDOM SWING SEAT, 8' BEAN
24	550-0201	SINGLE POST SWING ASSEMBLY
25	550-0202	SINGLE POST SWING ADD-ON 5'
26	560-0051	INCLUSIVE ORBIT
27	580-1022	FS SIGN, AGES 5-12 BOTH SIDES
28	590-0088	CRAZY MAZE PANEL, ABOVE PL
29	590-0113	3-IN-A-ROW PANEL, BELOW PL
30	590-0140	SPINNER CRESCENT PANEL
31	590-0167	HIDE THE NUMBERS 2-SIDEDPL
32	590-0405	PIPE WALL W/ STEERING WHEEL
33	590-0406	PIPE WALL W/TELESCOPE



WHEN SHARING A SWING BAY,
THIS SEAT MUST BE USED W/
ANOTHER TOT SEAT TO MEET
CPSC GUIDELINES

Burke

SERIES: Basics, Synergy
COMPONENT PLAN
DRAWN BY: Maggie Colton

BCI Burke Company, LLC PO Box 549 Fond du Lac, Wisconsin 54936-0549 Telephone 920-921-9220

Mooney Park
800 Mooney Avenue
Hammond, LA 70401

Planet Recess
140-155347-4

September 15, 2022