

This is the Proposal of:

Company: Planet Recess, Inc.

Address: P.O. Box 78160

City: Baton Rouge State: LA ZIP Code: 70837

Point of Contact: Carol Billan

Phone: 225-778-4700 / 985-264-6472 Fax: 225-778-4703

Email: ccbillan@yahoo.com / info@planetrecess.com

I acknowledge Addenda (list by number or enter N/A if none): N/A

Signature:  Date 12/12/22

Proposed Costs:

Line Item	Cost
1. Bonded Rubber Safety Surfacing	\$ 73,834. <sup>00</sup>
2. Playground Components	\$ 43,986. <sup>00</sup>
3. Freight	\$ 6,682. <sup>00</sup>
4. Professional Installation	\$ 20,159. <sup>00</sup>
<b>Total</b>	<b>\$ 144,661.<sup>00</sup></b>

**Section 3 Business/MBE/WBE/SBE/DBE**  Yes Type(s): \_\_\_\_\_

The City encourages Proposals from Section 3 businesses, Minority Business Enterprises, Woman Business Enterprises, Small Business Enterprises, and other potentially Disadvantaged Business Enterprises. The Proposer should contact the Purchasing Manager if the Proposer is uncertain whether it qualifies as a Section 3 business, MBE, WBE, SBE, and/or DBE.

**Nondiscrimination Certification**

By submitting a Proposal, the Proposer certifies compliance with Title VI and VII of the Civil Rights Act of 1964, as amended by the Equal Employment Opportunity Act of 1972; Section 202 of Executive Order 11246, as amended; the Vietnam Era Veterans' Readjustment Assistance Act of 1974; Section 503 of the Rehabilitation Act of 1973; and the Americans with Disabilities Act of 1990. The Proposer also certifies its intent to keep informed of and comply with all federal, State, and local laws, ordinances, and regulations which affect the Proposer's employees or prospective employees.

**"No Proposal"**

Any business or enterprise that chooses NOT to submit a Proposal, but wishes to acknowledge notification of this RFP, may complete and submit this Proposal Form with "No Proposal" for Proposal Amount. "No Proposals" shall only serve as a means of verifying notification of this RFP and shall NOT affect participation in future RFPs.

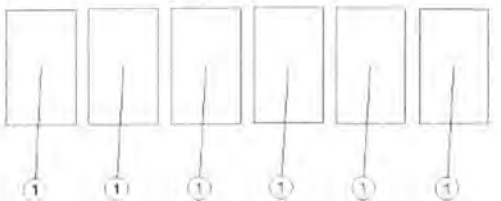
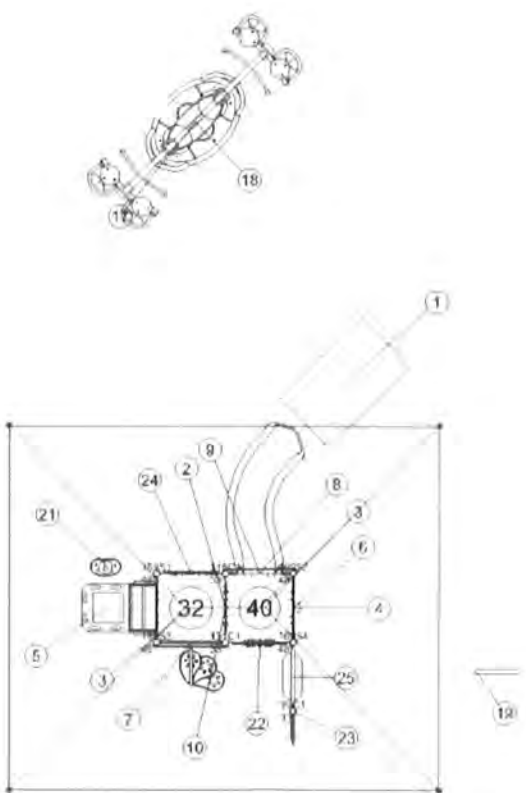
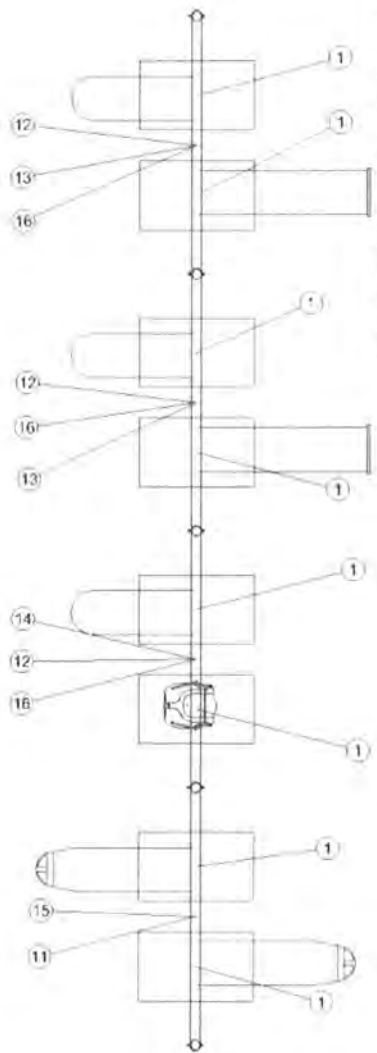
**COLOR KEY**

- SKY
- BLUE
- YELLOW
- PURPLE
- B PURPLE/GRAY





ITEM	COMP	DESCRIPTION
1	046-0536	PLAYMAT 3' X 5' X 2"
2	290-0101	8" CLOSURE PLATE
3	290-0102	SQUARE PLATFORM
4	290-0110	CLIMBER ENCLOSURE
5	390-0147	TRANSFER STATION, HANDRAIL
6	390-0155	TREE BRANCH CLIMBER 40"
7	390-0285	PETAL STEP CLIMBER 32" IMAG
8	490-0134	IMAGINATION DISCOVER SLIDE
9	490-0186	MONACO SLIDE, 32"-40"
10	490-0192	EZ TENSION 15' X 19' SHADEPLA
11	550-0100	TOT SEAT, 7' & 8' PAIR, STD CHA
12	550-0103	BELT SEAT, 7' SINGLE, STD CHA
13	550-0107	POLYETHYLENE SEAT, 7' & 8' SI
14	550-0171	FREEDOM SWING SEAT, 8' BEAM
15	550-0201	SINGLE POST SWING ASSEMBLY
16	550-0202	SINGLE POST SWING ADD-ON 5'
17	570-2727	ORB ROCKER FOOTER
18	570-2745	ORB ROCKER
19	580-1021	FS SIGN, AGES 2-5 BOTH SIDES
20	580-1022	FS SIGN, AGES 5-12 BOTH SIDES
21	580-1364	LIL NOVO BEAN STEP
22	590-0127	RAIN WHEEL PANEL, 2-5 ABOVE
23	590-0151	CHIMES CRESCENT PANEL, LEFT
24	590-0156	ACORN PANEL, 2-SIDED 2-5 ABO
25	590-0400	SYNERGY COUNTER



**Burke**

SERIES: Basics, Synergy  
 COMPONENT PLAN  
 DRAWN BY: Maggie Colton

Clarke Park  
 500 E. Illinois Avenue  
 Hammond, LA 70403

Planet Recess  
 140-149788-5

December 10, 2022

BCI Burke Company, LLC PO Box 549 Fond du Lac, Wisconsin 54936-0549 Telephone 920-921-9220



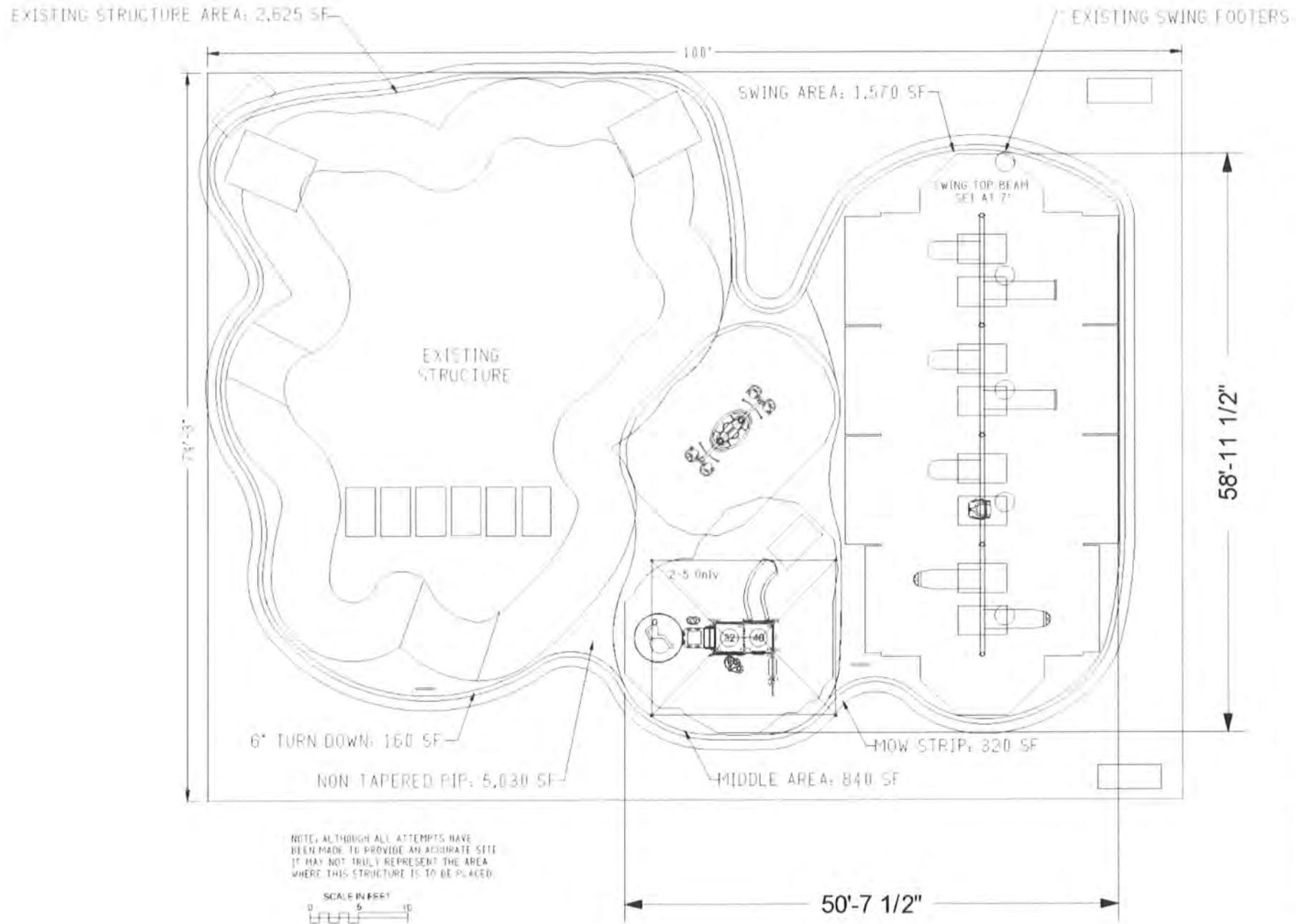
SERIES: Basics, Synergy  
 SITE PLAN  
 DRAWN BY: Maggie Colton

BCI Burke Company, LLC PO Box 549 Fond du Lac, Wisconsin 54936-0549 Telephone 920-921-9220

Clarke Park  
 500 E. Illinois Avenue  
 Hammond, LA 70403

Planet Recess  
 140-149788-5

December 10, 2022



ADA ACCESSIBILITY GUIDELINE (ADAAG CONFORMANCE)

NUMBER OF PLAY EVENTS	16		
NUMBER OF ELEVATED PLAY EVENTS	5		
NUMBER OF ELEVATED PLAY EVENTS ACCESSIBLE BY RAMP	PROVIDED 0	REQ'D 0	
NUMBER OF ELEVATED PLAY EVENTS ACCESSIBLE BY TRANSFER SYSTEM	PROVIDED 5	REQ'D 3	
NUMBER OF ELEVATED PLAY EVENTS ACCESSIBLE BY RAMP OR TRANSFER SYSTEM		REQ'D 2	
NUMBER OF GROUND LEVEL PLAY EVENTS	PROVIDED 11	REQ'D 2	
NUMBER OF TYPES OF GROUND LEVEL PLAY EVENTS	PROVIDED 4	REQ'D 2	

WARNING!

ACCESSIBLE SAFETY SURFACING MATERIAL IS REQUIRED BENEATH AND AROUND THIS EQUIPMENT.  
 FOR SLIDE FALL ZONE SURFACING AREA SEE CPSC's Handbook for Public Playground Safety.  
 PLATFORM HEIGHTS ARE IN INCHES ABOVE RESILIENT MATERIAL.

INFORMATION  
 MINIMUM FALL ZONE  
 SURFACED WITH  
 RESILIENT MATERIAL  
 AREA

2046 SQ.FT.

PERIMETER

339 FT.

STRUCTURE SIZE

59' 0" x 50' 7"

STRUCTURE IS DESIGNED  
 FOR CHILDREN AGES:

- 6-23 MONTH OLDS
- 2-5 YEAR OLDS
- 5-12 YEAR OLDS
- 13 + YEAR OLDS



Registered to ISO 9001

Registered to ISO 14001



To verify product certification, visit [www.ipema.org](http://www.ipema.org)

The play components identified in this plan are IPEMA certified. The use and layout of these components conform to the requirements of ASTM F1487. To verify product certification, visit [www.ipema.org](http://www.ipema.org)

The space requirements shown here are to ASTM standards. Requirements for other standards may be different.

The use and layout of play components identified in this plan conform to the CPSC guidelines. U.S. CPSC recommends the separation of age groups in playground layouts.



**Re: RFP 23-42: Planet Recess's Proposal**

1 message

**Carol Billon** <ccbillon@yahoo.com> Wed, Dec 21, 2022 at 10:54 AM  
Reply-To: Carol Billon <ccbillon@yahoo.com>  
To: Charles Borchers <borchers\_cw@hammond.org>  
Cc: Alison Mondebello <mondebello\_am@hammond.org>, Jana Thurman <thurman\_je@hammond.org>, Krystle Noto <noto\_kk@hammond.org>

Yes, you are correct.  
-The age sign for 5-12 was included in error and was not included in the cost calculation for equipment or installation.  
-The bonded rubber for the tot seats will match the fall height for the other bays of swings (7' CFH extending out 14' in front and 14' in back)  
-The chain lengths are standard and will be adjusted for the 7' topbar when installing.

I'm sorry for the confusion. Merry Christmas!

Carol Billon  
Louisiana Sales Consultant  
Planet Recess  
985-264-6472 cell  
[ccbillon@yahoo.com](mailto:ccbillon@yahoo.com)  
[www.bciburke.com](http://www.bciburke.com)  
[www.vortex-intl.com](http://www.vortex-intl.com)  
[www.youtube.com/watch?v=yJsQ3ZCn680](https://www.youtube.com/watch?v=yJsQ3ZCn680) ■  
[https://www.youtube.com/watch?v=\\_yJQiZWtE](https://www.youtube.com/watch?v=_yJQiZWtE)

“The VERY best playgrounds on the Planet!”

On Wednesday, December 21, 2022 at 10:13:39 AM CST, Charles Borchers <borchers\_cw@hammond.org> wrote:

Wednesday, December 21, 2022

Carol,

Please see the attached excerpts from Planet Recess's Proposal under RFP 23-42---Clarke Park Playground Improvements

There is 1 item, highlighted in red on Pages 1 and 4 of the attached, that is NOT required for this project: a sign for the 5-12 playstructure already exists in/near this location. Please confirm that this is a typographical error and that Planet Recess's proposal does NOT include the cost of this sign or its installation.

There is 1 item, highlighted in orange on Page 1, that appears to have been drawn incorrectly: the bonded rubber safety surfacing for the tot seat bay should extend 14' front and 14' back---so as to match the dimensions of the bonded rubber safety surfacing shown for each of the other 3 bays. Please confirm that this is a typographical error and that the actual dimensions of the tot seat bay will match the dimensions of each of the other 3 bays.

For items highlighted in yellow, I have a question: where the following are referenced for swings

- 7' & 8' single, std chain
- 7' & 8' pair, std chain
- 8' single, std chain
- 8' beam, std chain

are the measurements provided standard measurements of chain length that would still allow for use of these swings with a top beam set at 7' (as correctly shown on Page 1)?

If you could respond by next Wednesday, December 28, that would be appreciated.

Respectfully,

**Charles W. Borchers IV**  
Grants Director, City of Hammond  
Grants Department  
310 E Charles St 2nd Fl  
PO Box 2788  
Hammond LA 70404-2788  
[borchers\\_cw@hammond.org](mailto:borchers_cw@hammond.org)  
985.277.5647 | 985.277.5607 (Fax)