

COUNCIL MEETING AGENDA REQUEST FORM

COUNCIL MEETING DATE: April 11, 2023

SUBJECT/REASON FOR AGENDA ITEM: _____

Temporarily Alcohol Permit Waiver | Open Container Law Waiver
Other: _____

Please be specific about the reason to be on the agenda.

A resolution to authorize the Mayor to enter into contract on behalf of the City of Hammond with Lawson- Bonet Construction, Inc. to rehabilitate Chevy Well in the amount of \$142,000.00.

Requested By: Water & Sewer Department
NAME: Guy Palermo
ADDRESS _____
PHONE # _____ CELL PHONE: _____
EMAIL: _____ FAX: _____

Please note that the Hammond City Council meets the Second and Fourth Tuesday of the Month at 5:30pm, 312 East Charles Street, Hammond, LA 70401, All requests have to be submitted to the City Council Clerk by the Wednesday prior of the meeting no later than 4:30pm, All requests can be submitted electronically to banks_tm@hammond.org or fax (985) 277-5611. If you have any questions please call (985) 277-5610

BELOW TO BE FILLED OUT BY COUNCIL CLERK

DATE RECEIVED: _____ TIME RECEIVED: _____

Council Clerk: Lisa Cockerham Agenda Item Number _____

Approved: _____ (Yes) _____ (No)

Remarks: _____

Kip Andrews
Council President

Lisa Cockerham

Date

RFP 23-47
CHEVY WELL REHABILITATION
CITY OF HAMMOND

March 28, 2023
10:00 a. m.

Received (3) Three Proposals:

<i>Company</i>	<i>Total Price</i>
Griner Drilling	\$159,126.00
Lawson-Bonet Construction	\$142,000.00
Granite Construction	No Bid

Proposals were due in by 10:00 a. m. Tuesday, March 28, 2023

Present:

Jana Soileau, Purchasing Director
Krystle Noto, Purchasing Agent
David Foster, MRP Construction

PUBLIC NOTICE

PUBLIC NOTICE IS HEREBY GIVEN that the City of Hammond, Parish of Tangipahoa, State of Louisiana will open sealed Proposals at **10:00 a.m. Tuesday, March 28, 2023**, at The Purchasing Department, 310 E Charles St, Hammond LA 70401, for the Chevy Well Rehabilitation.

Any information or questions to complete the proposal may be obtained between the hours of 7:30 a.m. and 4:00 p.m. Monday through Friday at the City of Hammond Purchasing Department, 310 East Charles Street, Hammond, La., or at (985) 277-5633. RFP 23-47 is available online at www.bidexpress.com and the City Website www.hammond.org.

Sealed Proposals must be received by the Purchasing Department by **10:00 a.m. Tuesday, March 28, 2023**. The **RFP Number 23-47, Proposer's Name, Proposer's Address, Proposer's Louisiana Contractor License Number, and RFP Opening Date** must be clearly typed or printed on the outside of the Proposal envelope.

Section 3 Businesses/WBEs/SBEs/MBEs/DBEs are encouraged to submit Proposals.

The City reserves the right to accept or reject any and all Proposals for just cause in accordance with Louisiana Public Bid Law, Louisiana Revised Statute 38:2211, et seq., which does not permit waiving any provision of Louisiana Revised Statute 38:2212, concerning advertisement and letting, or waiving any provision included in the Proposal Documents. The City shall incur no obligation to the Contractor until a Contract between the City and Contractor is fully executed.

RFP NUMBER: RFP 23-47

To appear: Thursday, March 2, 2023
 Thursday, March 9, 2023
 Thursday, March 16, 2023



**City Of Hammond
Purchasing Department**

**RFP # 23-47
For**

Chevy Well Rehabilitation

**Sealed Proposals Shall Be Received by the Purchasing Department,
City of Hammond
310 East Charles Street
P. O. Box 2788
Hammond, Louisiana 70404-2788**

Until

10:00 a. m. on March 28, 2023

At Which Time All Proposals Will Be Opened and Read Aloud

**Advertisement in the Official Journal, Daily Star, to be published (3) Times
March 2, March 9 & 16, 2023**

Site Visit

To schedule a site visit at Chevy Well location: 2101 Rue Denise, Hammond LA 70403.
Contact Kathy Jones at 985-277-5951.

This is the Proposal of:

Date: _____

Company: _____

Section 3 Business/WBE/SBE/MBE/DBE: _____

Address: _____

City: _____ **State:** _____ **ZIP Code:** _____

Person to Contact: _____

Phone: _____ **Fax:** _____

Email: _____

Your Proposal is important to us.

However, should you choose NOT to submit a Proposal for this project, the City would still ask you to complete this sheet and indicate "No Proposal". This shall NOT affect your participation in future RFPs, but only serve as a means of verifying you received notification of this RFP.

Section 3 Business/WBE/SBE/MBE/DBE

The City encourages Proposals from Section 3 businesses, Woman Business Enterprises, Minority Business Enterprises, Small Business Enterprises, and other potentially Disadvantaged Business Enterprises. If your company is one of these types of businesses, please indicate "Section 3," "WBE," "SBE," "MBE," or "DBE" in the space provided above.

Nondiscrimination Requirements

By submitting and signing this Proposal, the Proposer agrees to comply with Title VI and VII of the Civil Rights Act of 1964 as amended; the Vietnam Era Veterans Readjustment Assistance Act of 1974; Section 503 of the Rehabilitation Act of 1973; Section 202 of Executive Order 11246 as amended; and the Americans with Disabilities Act of 1990.

The Proposer also agrees to keep informed of and comply with all federal, State, and local laws, ordinances, and regulations which affect the Proposer's employees or prospective employees.

Scope of Work

This project consist of removing the existing 2 Aurora split case pumps and motors. Installing 2 new CR255-1 A-G-A-E-HQQE pumps. Contractor to provide all labor and materials for installation of pumps, pipe fittings and electrician to tie in new pumps to existing booster VFDs. Chevy Well location: 2101 Rue Denise, Hammond LA 70403

Specifications

1. Remove the existing 2 Aurora split case pumps and motors.
2. Remove all existing ductile iron fittings, excluding (2) two 10" new check valves.
3. Install (2) two CR-255-1 A-G-A-E-HQQE vertical multi stage booster pumps.(Pump data sheet attached to RFP)
4. Tie in new pumps to existing booster VFDs

**** Site Visit is highly recommended****

Instructions to proposers

PROPOSERS ARE URGED TO PROMPTLY REVIEW THE REQUIREMENTS OF ALL SPECIFICATIONS AND SUBMIT QUESTIONS FOR RESOLUTION AS EARLY AS POSSIBLE DURING THE SUBMITTAL PERIOD. QUESTIONS OR CONCERNS MUST BE SUBMITTED TO THE PURCHASING MANAGER DURING THE PROPOSAL PERIOD AND SHALL BECOME PART OF YOUR PROPOSAL PACKAGE. OTHERWISE, THIS WILL BE CONSTRUED AS ACCEPTANCE BY THE PROPOSERS THAT THE INTENT OF THE SPECIFICATIONS IS CLEAR AND THAT COMPETITIVE PROPOSALS MAY BE OBTAINED AS SPECIFIED HEREIN. PROTESTS WITH REGARD TO THE SPECIFICATION DOCUMENTS SHALL NOT BE CONSIDERED AFTER PROPOSALS ARE OPENED.

RFP Packages are mailed only as a courtesy. The City of Hammond does not assume responsibility for proposers to receive RFP packages. Proposers should rely on advertisements in the local newspaper, City Website www.hammond.org, online at www.bidexpress.com or personally pick up RFP packages with specifications. Full information may be obtained, or questions answered, by contacting the Purchasing Department, Hammond City Hall Complex, 310 East Charles Street.

These specifications are written in a manner to invite open competition. Any manufacturer's names, trade names, brand names, or catalog numbers used in the specifications are for the purpose of describing and establishing general quality levels. Such references are not intended to be restrictive unless the RFP states that only the brand name will be considered for reasons of compatibility, etc. The RFP number, Proposers name, address, Louisiana Contractor License number and RFP opening date shall be clearly printed or typed on the outside of the Proposal envelope, if mailed. Only one (1) proposal shall be accepted from each proposer. Alternates shall not be accepted unless specifically requested in the RFP specifications. Proposals can be delivered or mailed.

The method of delivery of proposals is the responsibility of the proposer. All proposals shall be received by the Purchasing Department, Hammond City Hall Complex, 310 East Charles Street Hammond, Louisiana on or before the specified RFP opening date and time.

Normally, bid bonds will not be required on bids for materials, supplies, annual contracts or small labor contracts. If a bid bond is required, it will be specifically requested on the RFP form and included in the specifications. **BID BOND IS REQUIRED.**

Proposals shall be accepted only on the RFP forms furnished by the City of Hammond Purchasing Department. The City of Hammond shall only accept proposals from those proposers in whose name the RFP forms and or specifications were issued. Altered or incomplete proposals forms, or use of substitute forms or documents, shall render the proposal non-responsive and subject to rejection.

The RFP package, including the specifications and copies of any addenda issued shall be submitted to the Purchasing Department as THE RFP. All proposals must be typed or written in **BLUE/BLACK INK**. Any erasures, strikeover and/or changes to prices shall be initialed by the proposer. Failure to initial shall be cause for rejection of the proposal as non-responsive. All proposals shall be signed. Failure to do so shall cause the proposal to be rejected as non-responsive.

Where one (1) or more vendor's exact products or typical workmanship is designated as the level of quality desired or equivalent, the Purchasing Agent/Building Director, after study and review, reserves the right to determine the acceptability of any equivalent offered. The decision, after study and review, shall be final and binding. If proposing "equivalent" products, specifications, illustrative literature and any deviations shall be submitted with proposal. Representative samples shall be submitted upon request, if appropriate.

Liability:

The Contractor at all times during the term of the contract shall maintain and pay for property damage and public liability insurance with limits of at least (\$1,000,000.00) one million dollars inclusive of bodily injury and property damage for any one occurrence.

Prior to commencing work under this contract the Contractor must file with the City a "certificate of insurance" meeting aforementioned requirements with the City of Hammond named insured by added endorsement. All premiums and expense incurred with this insurance shall be paid for by the Contractor. The Contractor shall assume the defense of and indemnify and save harmless the City and its Officers and Agents from all claims relating to work.

The Contractor shall be responsible for any and all damages or claims for damages or injuries or accidents done or caused by him or his employees, or resulting from the execution of the work, or any operations, or caused by reason of existence or location or condition of facilities or of any materials, supplies, or machinery used thereon or therein, or neglect or omission on his part, or all of the several acts or things required to be done by them, under and by these conditions, and covenants, and agrees to hold the City harmless and indemnified for all such damages and claims for damages.

The Contractor shall indemnify and save harmless the City from and against all losses and all claims, demands, payments, suits, actions, recoveries, all attorney fees, and judgments of every nature and description made, brought or recovered against the City by reason of any act or omission of the Contractor, his agents or employees, in the execution of his work.

Worker's Compensation:

The Contractor shall, at all times, pay or cause to be paid, any assessment or compensation required to be paid pursuant to the Worker's Compensation Act.

The Contractor shall, at the time of entering into a Contract with the City, provide satisfactory proof that all assessments or compensation payable to the Worker's Compensation Board have been paid and the City may, at any time during the performance or upon the completion of such Contract require a further declaration such Contract require a further declaration that such assessments or compensations have been paid.

Performance Bond:

The Contractor shall furnish and pay for a Performance Bond written by a company licensed to do business in Louisiana, and shall be countersigned by a person who is contracted with the surety company or bond issuer as an agent of the company or issuer, and who is licensed as an insurance agent in this state, and who is residing in this state, in an amount equal to the 100% contract amount.

Sealed RFP Form for Public RFP 23-47

As a qualified proposer for the project, I have carefully examined all of the RFP Documents and have examined the conditions and specifications of the work to be done, and I hereby propose to furnish all labor, materials, equipment, tools, etc., as called for by the RFP specifications.

I hereby acknowledge that I have received the following Addenda and they are reflected as part of this proposal,

List by date and Addendum number _____

I certify that I am duly licensed in Louisiana to perform the work. Louisiana License # _____

Work to be complete within _____ days after receipt of order.

Proposal Amount

Proposer agrees to Furnish All Material, Supplies and Services in complete accordance with all RFP 23-47 Specifications for the sum indicated:

(Amounts shall be shown in words and digits. In case of discrepancy, words shall govern.)

Total Price _____ **DOLLARS**

(\$ _____)

Signature of Proposer

Company Name

The above signature on this Sealed Proposal certifies that proposer has carefully examined the instructions to proposers, terms and specifications applicable to and made a part of this Seal Proposal Package. Proposer further certifies that the prices shown are in full compliance with the conditions, terms and specifications of this Sealed RFP.

PROJECT: _____	UNIT TAG: _____	QUANTITY: _____
REPRESENTATIVE: _____	TYPE OF SERVICE: _____	DATE: _____
ENGINEER: _____	SUBMITTED BY: _____	DATE: _____
CONTRACTOR: _____	APPROVED BY: _____	DATE: _____
	ORDER NO.: _____	DATE: _____

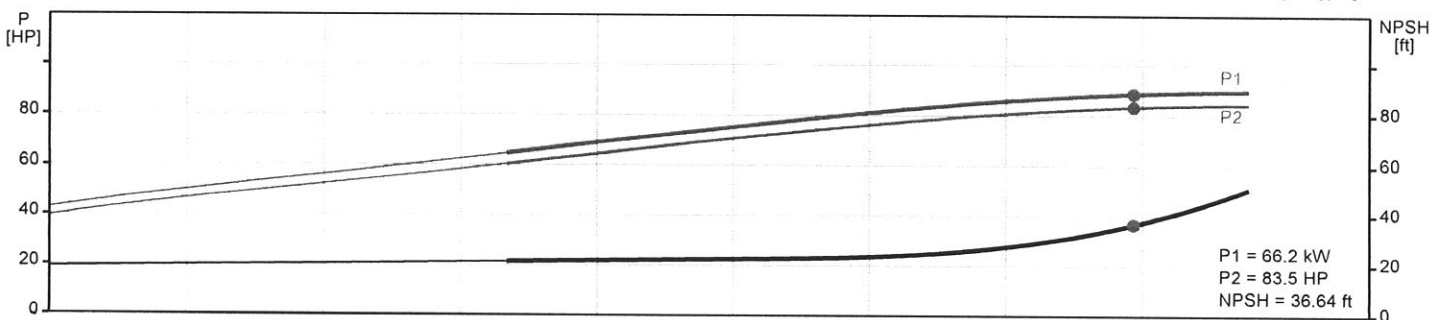
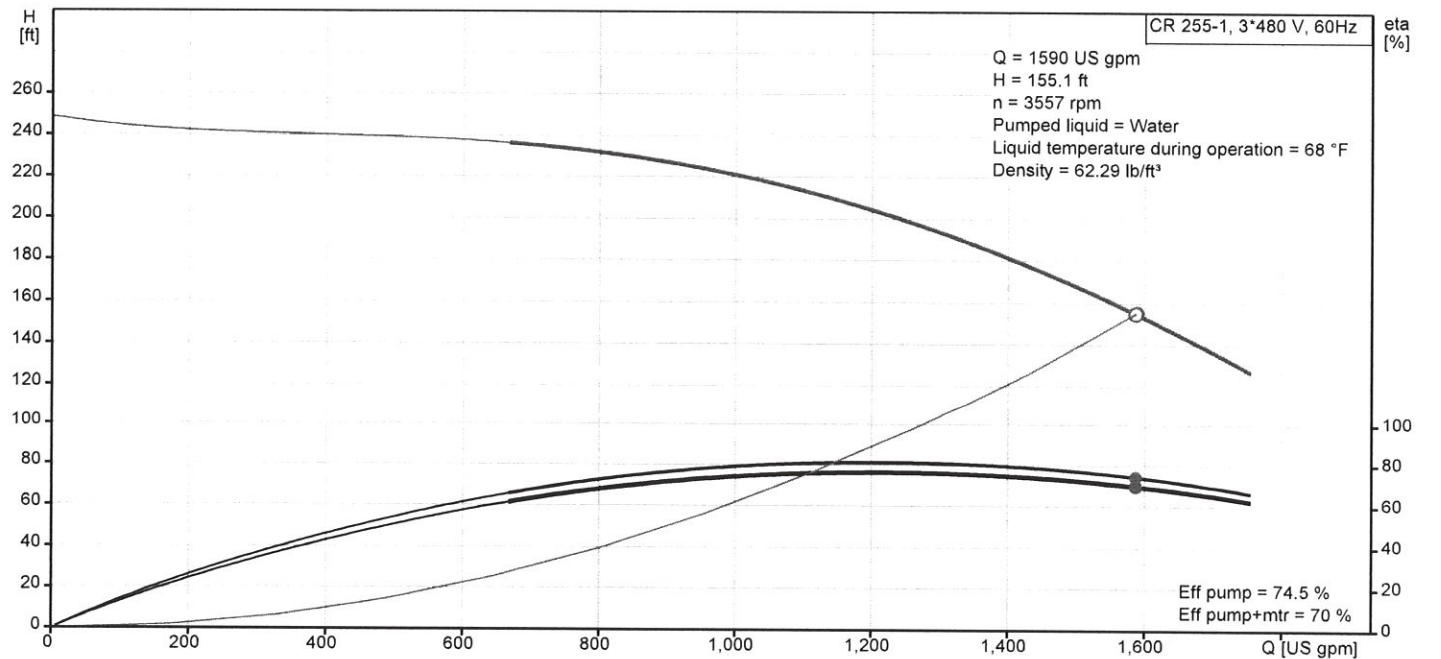


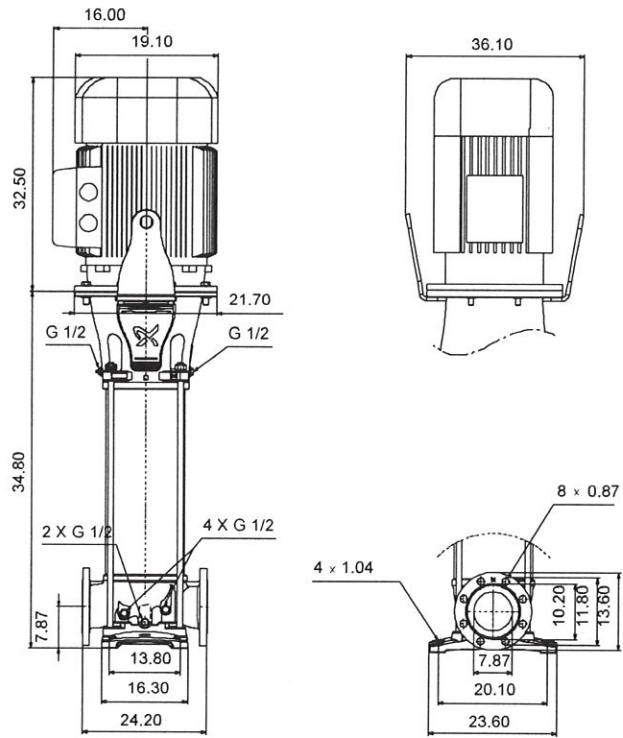
CR 255-1 A-G-A-E-HQQE

Vertical, multistage centrifugal pump with suction and discharge ports on the same level. The pump head and base are in cast iron - all other wetted parts are in stainless steel (EN 1.4301)

Product photo could vary from the actual product

Conditions of Service		Pump Data		Motor Data	
Flow:	1590 US gpm	Liquid temperature range:	-4 .. 248 °F	Rated power - P2:	100 HP
Head:	155.1 ft	Maximum ambient temperature:	104 °F	Rated voltage:	460 V
Efficiency:	70 %	Shaft seal:	HQQE	Main frequency:	60 Hz
Liquid:	Water	Product number:	On request	Enclosure class:	IP55
Temperature:	68 °F			Insulation class:	F
NPSH required:	36.64 ft			Motor protection:	NONE
Specific Gravity:	1.000			Motor type:	WEG
				Eff. 1/1:	94.1 %





Materials:

- Base: Ductile cast iron
- Base: EN 1563 EN-GJS-500-7
- Base: ASTM A536-84 65-45-12
- Impeller: Stainless steel
- Impeller: AISI 316
- Impeller: EN 1.4401
- Material code: A
- Code for rubber: E

Count	Description
-------	-------------

1 CR 255-1 A-G-A-E-HQQE



Product photo could vary from the actual product

Product No.: On request

Vertical, multistage centrifugal pump with inlet and outlet ports on same the level (inline). The pump head and base are in cast iron – all other wetted parts are in stainless steel. A built-in thrust-handling device absorbs hydraulic axial forces which enables the use of a standard motor.

The Grundfos cartridge shaft seal ensures high reliability, safe handling, and easy access and service. Power transmission is via a rigid split coupling. Pipe connection is via ANSI flanges.

The pump is fitted with a 3-phase, fan-cooled asynchronous motor.

Further product details

Steel, cast iron and aluminium components have an epoxy-based coating made in a cathodic electro-deposition (CED) process.

CED is a high-quality dip-painting process where an electrical field around the products ensures deposition of paint particles as a thin, well-controlled layer on the surface.

An integral part of the process is a pretreatment.

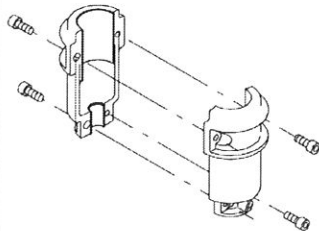
The entire process consists of these elements:

- 1) Alkaline-based cleaning.
- 2) Zinc phosphating.
- 3) Cathodic electro-deposition.
- 4) Curing to a dry film thickness 18-22 my m.

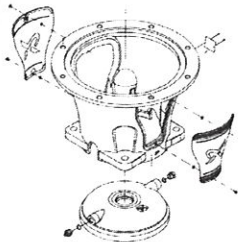
The colour code for the finished product is NCS 9000/RAL 9005.

Pump

A long split coupling connects the pump and motor shaft. It is enclosed in the motor stool by means of two coupling guards. The long coupling makes it possible to replace the shaft seal without removing the motor from the pump.



The motor stool connects the pump head and motor. The pump head has a combined 1/2" priming plug and vent screw.



The pump is fitted with a balanced O-ring seal unit with a rigid torque-transmission system.

This seal type is assembled in a cartridge unit which makes replacement safe and easy.

Due to the balancing, this seal type is suitable for high-pressure applications.

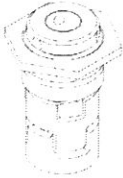
The cartridge construction also protects the pump shaft from possible wear from a dynamic O-ring between pump shaft and shaft seal.

Primary seal:

- Rotating seal ring material: silicon carbide (SiC)
- Stationary seat material: silicon carbide (SiC)

Count	Description
-------	-------------

1	<p>This material pairing is used where higher corrosion resistance is required. The high hardness of this material pairing offers good resistance against abrasive particles.</p> <p>Secondary seal material: EPDM (ethylene-propylene rubber) EPDM has excellent resistance to hot water. EPDM is not suitable for mineral oils.</p>
---	---



The shaft seal is screwed into the pump head.

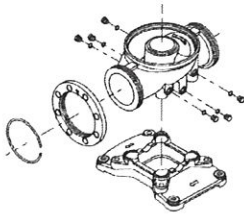
The chambers and impellers are made of stainless-steel sheet. The chambers are provided with a PEEK neck ring offering improved sealing and high efficiency. The impellers have smooth surfaces, and the shape of the blades ensure a high efficiency.

The base is made of cast iron and mounted on a separate cast-iron base plate.

Both the inlet and the outlet side of the base have two pressure gauge tapings.

The pump is secured to the foundation by four bolts through the base plate.

The flanges are fastened to the base by means of locking rings.



Motor

The motor is a totally enclosed, fan-cooled motor with principal dimensions to IEC and DIN standards. The motor is flange-mounted with free-hole flange (FF).

Motor-mounting designation in accordance with IEC 60034-7: IM B 5 (Code I) / IM 3001 (Code II).

Electrical tolerances comply with IEC 60034.

The motor efficiency is classified as premium efficiency in accordance with EISA2007.

The motor does not incorporate motor protection and must be connected to a motor-protective circuit breaker which can be manually reset. The motor-protective circuit breaker must be set according to the rated current of the motor (I1/1).

A variable speed drive makes adjustment of pump performance to any duty point possible. If the motor is to be connected to a variable speed drive, the pump must be ordered with an electrically insulated motor bearing.

Technical data

Liquid:

Pumped liquid:	Water
Liquid temperature range:	-4 .. 248 °F
Selected liquid temperature:	68 °F
Density:	62.29 lb/ft³
Kinematic viscosity:	1 cSt

Technical:

Rated pump speed:	3572 rpm
Actual calculated flow:	1590 US gpm
Resulting head of the pump:	155.1 ft
Pump orientation:	Vertical
Shaft seal arrangement:	Single
Code for shaft seal:	HQQE
Approvals for drinking water:	NSF/ANSI 61, NSF/ANSI 372
Curve tolerance:	ISO9906:2012 3B

Materials:

Base:	Ductile cast iron EN 1563 EN-GJS-500-7 ASTM A536-84 65-45-12
Impeller:	Stainless steel EN 1.4401 AISI 316



Company name:

Created by:

Phone:

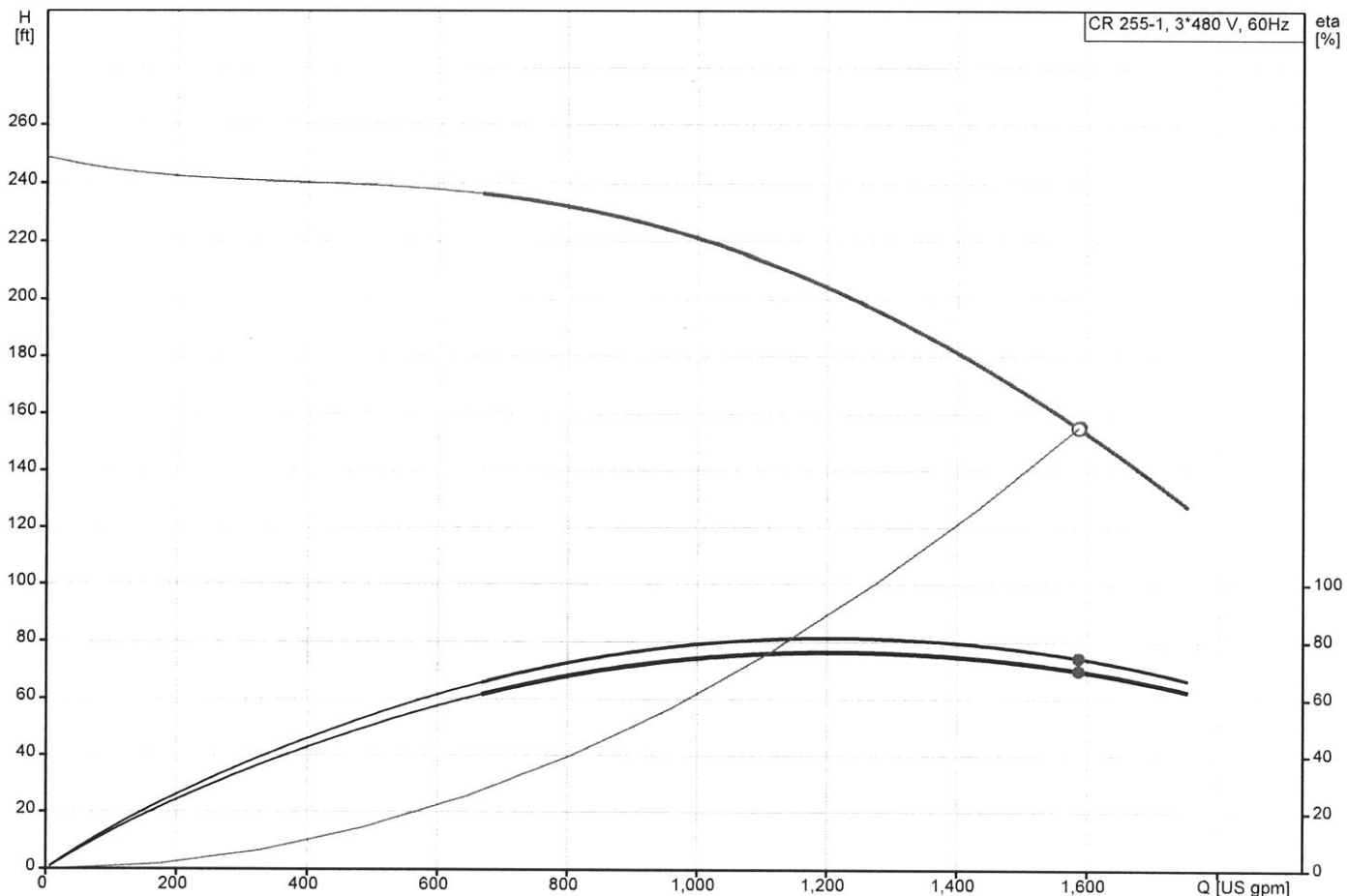
Date:

1/31/2023

Count | Description

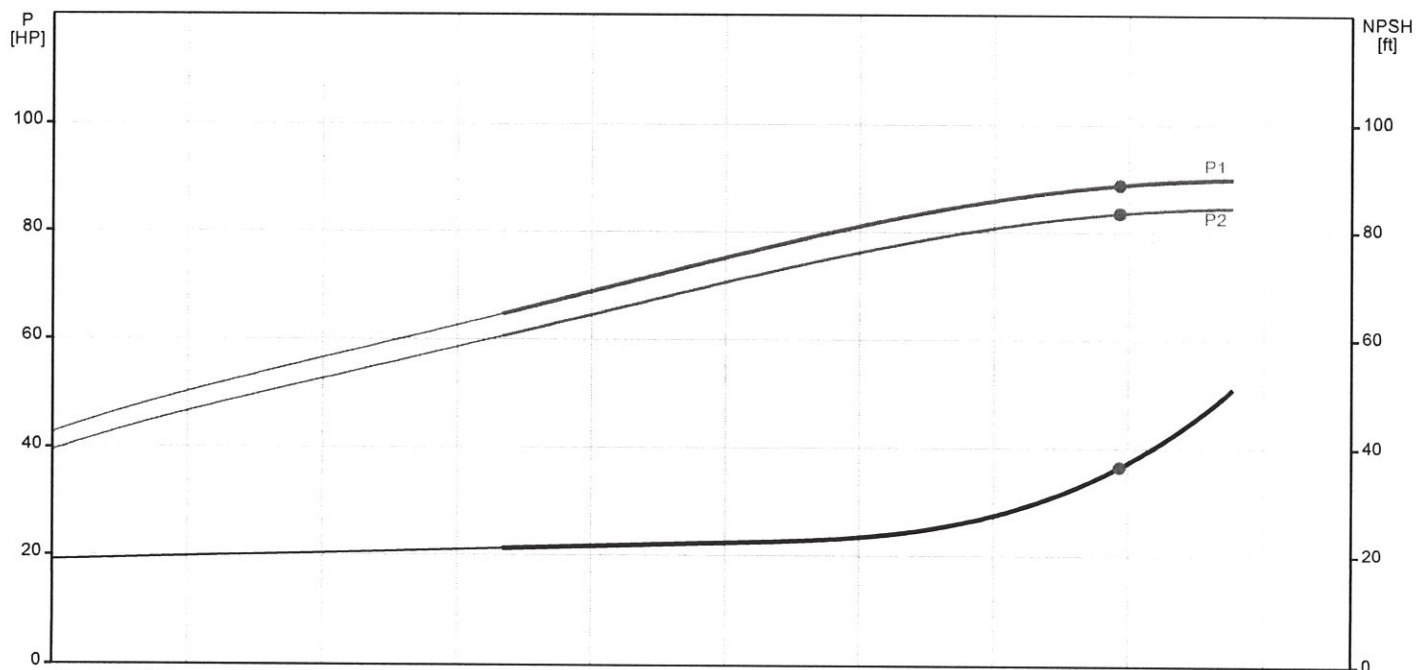
1	Bearing: WC/WC
	Thrust handling device: SiC/WC
	Material certified according to: European standards
Installation:	
	t max amb: 104 °F
	Maximum operating pressure: 232.06 psi
	Max pressure at stated temperature: 232 psi / 250 °F
	Type of connection: ANSI
	Size of suction port: 8 inch
	Size of outlet port: 8 inch
	Pressure rating for connection: 150 lb
	Flange size for motor: 405TSD
Electrical data:	
	Motor standard: NEMA
	Motor type: WEG
	IE Efficiency class: IE3 / NEMA Premium
	Rated power - P2: 100 HP
	Power (P2) required by pump: 100 HP
	Main frequency: 60 Hz
	Rated voltage: 3 x 460 V
	Service factor: 1.25
	Rated current: 112 A
	Starting current: 650 %
	Cos phi - power factor: 0.89
	Rated speed: 3545 rpm
	IE efficiency: IE3 94,1%
	Motor efficiency at full load: 94.1 %
	Motor efficiency at 3/4 load: 94.1 %
	Motor efficiency at 1/2 load: 93.0 %
	Number of poles: 2
	Enclosure class (IEC 34-5): IP55
	Insulation class (IEC 85): F
	Motor Number: 99883216
Controls:	
	Frequency converter: NONE
Others:	
	Net weight: 1800 lb
	Gross weight: 2280 lb
	Shipping volume: 138 ft³
	Thrust handling device: Y
	Country of origin: US
	Custom tariff no.: 8413.70.2040

On request CR 255-1 A-G-A-E-HQQE 60 Hz



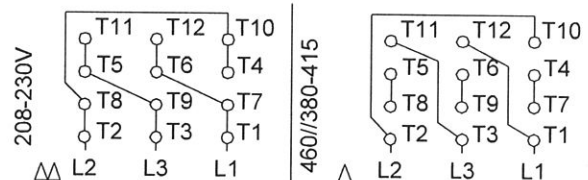
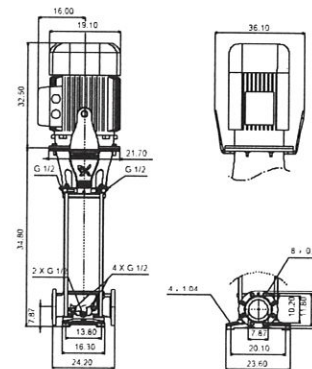
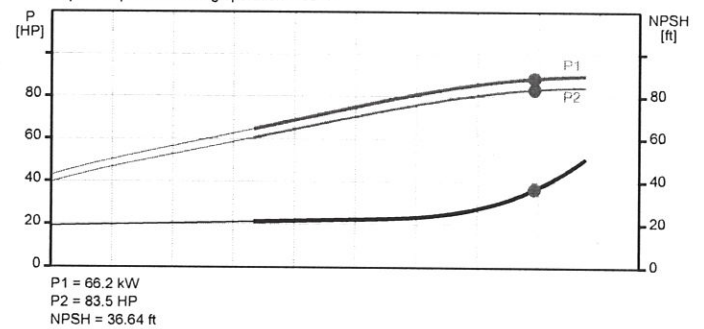
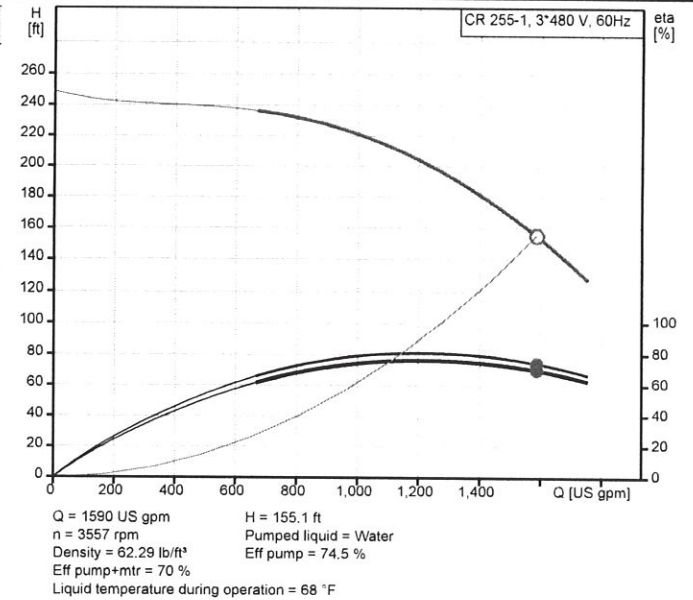
Q = 1590 US gpm
 n = 3557 rpm
 Liquid temperature during operation = 68 °F
 Eff pump = 74.5 %

H = 155.1 ft
 Pumped liquid = Water
 Density = 62.29 lb/ft³
 Eff pump+mtr = 70 %



P1 = 66.2 kW
 P2 = 83.5 HP
 NPSH = 36.64 ft

Description	Value
General information:	
Product name:	CR 255-1 A-G-A-E-HQQE
Product No.:	On request
EAN:	On request
Technical:	
Rated pump speed:	3572 rpm
Actual calculated flow:	1590 US gpm
Resulting head of the pump:	155.1 ft
Maximum head:	247.4 ft
Stages:	1
Impellers:	1
Number of reduced-diameter impellers:	0
Low NPSH:	N
Pump orientation:	Vertical
Shaft seal arrangement:	Single
Code for shaft seal:	HQQE
Approvals for drinking water:	NSF/ANSI 61, NSF/ANSI 372
Curve tolerance:	ISO9906:2012 3B
Pump version:	A
Model:	A
Cooling:	IC 411
Materials:	
Base:	Ductile cast iron
Base:	EN 1563 EN-GJS-500-7
Base:	ASTM A536-84 65-45-12
Impeller:	Stainless steel
Impeller:	EN 1.4401
Impeller:	AISI 316
Material code:	A
Code for rubber:	E
Bearing:	WC/WC
Thrust handling device:	SiC/WC
Material certified according to:	European standards
Installation:	
t max amb:	104 °F
Maximum operating pressure:	232.06 psi
Max pressure at stated temperature:	232 psi / 250 °F
Type of connection:	ANSI
Size of suction port:	8 inch
Size of outlet port:	8 inch
Pressure rating for connection:	150 lb
Flange size for motor:	405TSD
Connect code:	G
Liquid:	
Pumped liquid:	Water
Liquid temperature range:	-4 .. 248 °F
Selected liquid temperature:	68 °F
Density:	62.29 lb/ft ³
Kinematic viscosity:	1 cSt
Electrical data:	
Motor standard:	NEMA
Motor type:	WEG
IE Efficiency class:	IE3 / NEMA Premium
Rated power - P2:	100 HP
Power (P2) required by pump:	100 HP
Main frequency:	60 Hz
Rated voltage:	3 x 460 V
Service factor:	1.25
Rated current:	112 A
Starting current:	650 %
Full load SF current:	140 A
Cos phi - power factor:	0.89
Rated speed:	3545 rpm
IE efficiency:	IE3 94,1%
Motor efficiency at full load:	94.1 %





Company name:

Created by:

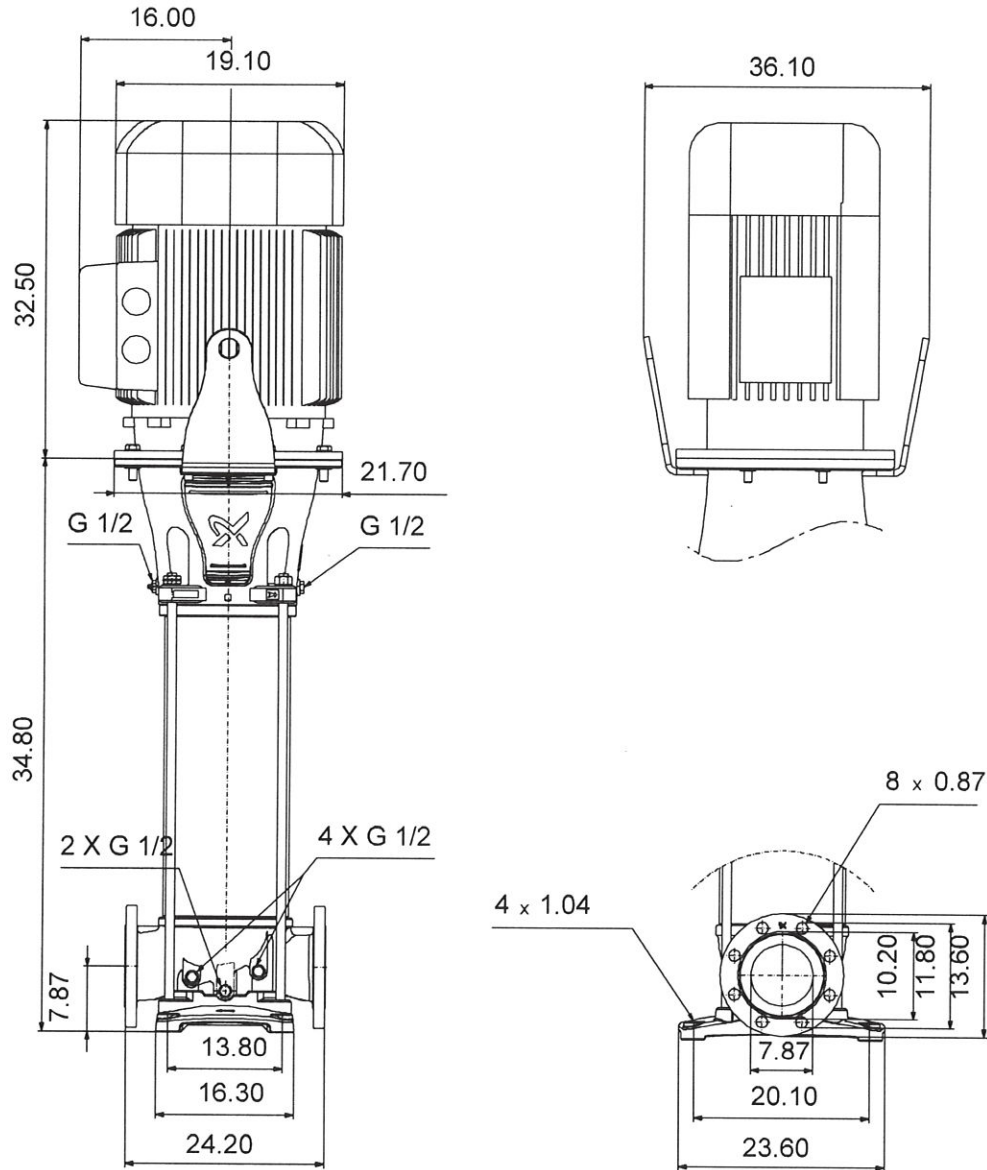
Phone:

Date:

1/31/2023

Description	Value
Motor efficiency at 3/4 load:	94.1 %
Motor efficiency at 1/2 load:	93.0 %
Number of poles:	2
Enclosure class (IEC 34-5):	IP55
Insulation class (IEC 85):	F
Built-in motor protection:	NONE
Motor Number:	99883216
Controls:	
Frequency converter:	NONE
Others:	
Net weight:	1800 lb
Gross weight:	2280 lb
Shipping volume:	138 ft ³
Thrust handling device:	Y
Country of origin:	US
Custom tariff no.:	8413.70.2040

On request CR 255-1 A-G-A-E-HQQE 60 Hz





Jana Thurman <thurman_je@hammond.org>

RFP for 23 - 47 Chevy Well Rehabilitation

1 message

Jana Thurman <thurman_je@hammond.org>

Wed, Mar 1, 2023 at 8:58 AM

Cc: Krystle Noto <noto_kk@hammond.org>, Guy Palermo <palermo_gl@hammond.org>

Bcc: brent.ouber@gcimc.com, joe@grinerdrillingservice.com, chusser@grinerdrillingservice.com, Joshua Freche' <josh@americanpumpandfilter.com>

Good Morning,

The City of Hammond has issued RFP 23-47 for Chevy Well rehabilitation. We would like to welcome your proposal.

I've attached RFP 23-47, please review the specifications and submit a proposal by the closing date if you are interested.

Thanks,

Jana Thurman Soileau

Purchasing Manager, City of Hammond

PO Box 2788, Hammond, LA 70404

O: 985-277-5633 | Fax: 985-277-5636

thurman_je@hammond.org

 **RFP 23-47 CHEVY WELL REHABILITATION.pdf**
875K

General Info

Electronic signature required

Deadline

03/28/2023 10:00 AM CDT

Number

RFP 23-47 Chevy Well Rehabilitation

State

Louisiana

County

Tangipahoa Parish

Description

Project consist of removing the existing 2 Aurora split case pumps and motors. Installing 2 new CR255-1 A-G-A-E-HQQE pumps. Contractor to provide all labor and materials for installation of pumps, pipe fittings and electrician to tie in new pumps to existing booster VFDs.

Allows zero unit prices and labor

No

Allows negative unit prices and labor

No

Public Documents

Name

Date Created

Plan Holders

[Help](#)

User Name Email

Business Name Address Phone Receives

User Name	Email	Business Name	Address	Phone	Receives
Emilie Nettles	emilie@lawsonbonet.com	Lawson-Bonet Construction Inc	2391 Highway 190 E Hammond, LA 70401-9571	(985) 419-0597	No

Manual Bids

Business*	Bid Total
0 Manual Bids	

Submitted Bids

0 Submitted Bids	
------------------	--

[Help](#)

Notification	User	Business	Time
Solicitation Advertised	Wayne Pontiff	Kort's Construction Services, Inc.	03/02/2023 10:11 AM EST
Solicitation Advertised	David Muller	M & J Civil Construction, LLC	03/02/2023 09:11 AM CST
Solicitation Advertised	Rebecca Bergin	Douglas Food Stores Inc	03/02/2023 10:11 AM EST
Solicitation Advertised	Michael Hackley	Hackley Enterprises LLC	03/02/2023 09:11 AM CST
Solicitation Advertised	steven williams	A Property 4 U,LLC	03/02/2023 09:11 AM CST
Solicitation Advertised	Christopher VIOLA	Crum Enterprises	03/02/2023 10:11 AM EST
Solicitation Advertised	Jonathan Love	HMSE	03/02/2023 10:11 AM EST
Solicitation Advertised	Robert Anzalone	WIT construction Inc.	03/02/2023 09:11 AM CST

8 Notification Logs